



SPACE CAPSULE SWING™

The Step2 Company, LLC.
10010 Aurora-Hudson Rd.
Streetsboro, OH 44241 USA
1-800-347-8372 USA & Canada Only
(330)656-0440
www.step2.com



@THESTEP2COMPANY | #STEP2KIDS



SAVE THIS SHEET FOR FUTURE REFERENCE.

MANUFACTURING / _____ MODEL #: _____

C.O.C. DATE CODE FROM CARTON: _____ DATE OF PURCHASE: _____

OBSERVE ALL STATEMENTS AND WARNINGS TO REDUCE THE LIKELIHOOD OF SERIOUS OR FATAL INJURY.

SAVE THIS SHEET FOR FUTURE REFERENCE.

⚠ WARNING:

CHOKING HAZARD

Small parts & sharp points present before assembly. Adult assembly required.

⚠ WARNING:

Only for family domestic outdoor use by children from ages 3 - 7 years old. Maximum user weight: 50 lbs (22,6 kg) per child.

⚠ WARNING:

STRANGULATION HAZARD

Serious injury or death can occur.

- **DO NOT** attach jump ropes, clothes lines, pet leashes or other loose hanging items not specifically designed for use with this equipment.
- **DO NOT** allow children to wear scarves, mittens with cords through the sleeves, or clothing such as capes, ponchos, or items with drawstrings at the neck.
- **DO NOT** allow children to wear helmets while playing on equipment.
- **DO NOT** allow children to wear items around their necks such as necklaces, canteens, purses and binoculars.

⚠ WARNING:

BURN HAZARD

- Always check the temperature of the product before letting your children play with it.
- Remember that the product may cause burns if left in direct sunlight.
- Always be aware of the sun and weather conditions, and do not assume that the equipment is safe because the air temperature is not very high.

⚠ WARNING:

ALWAYS USE CHILD RESTRAINT

- Follow these instructions carefully during assembly and before installing this product.
- Do not allow your child to use this product until it is properly installed by an adult.
- Instruct child to remain in the seated position when using this product.
- Adult supervision is required at all times.

⚠ WARNING:

SERIOUS HEAD INJURY OR DEATH CAN OCCUR.

Falls to a hard surface can result in serious injury or death. Do not install playground equipment over hard surfaces such as concrete asphalt, packed earth, grass, carpet or any other hard surface. Adult supervision required.

SAFETY INFORMATION:

1. Never add extra length to chain or rope. The chains or ropes provided are the maximum length designed for the swinging element(s).
2. Create an obstacle-free site to reduce injury. Maintain a minimum distance of 6.5 feet (2 m) from structures or obstructions (examples: a fence, buildings, garages, houses, low hanging branches, tree stumps/roots, large rocks, bricks, concrete, laundry lines, or electrical wires).
3. Choose a level location for the equipment to reduce the likelihood of the play set tip-ping over and loose fill surfacing materials from washing away during heavy rains.
4. Fall Height: 29 inches (736.6 mm). Do not install product or surfacing material over concrete, asphalt, packed earth, grass, carpet or any other hard surface. Playground equipment for home use **SHOULD NOT BE USED** indoors without installed fall protection. A fall onto a hard surface can result in serious injury. Playground Surfacing Materials guidelines for acceptable fall protection are included in this instruction sheet (see table X3.1). To maintain the appropriate level of loose fill material, use containment, such as digging out around the perimeter and/or lining it with landscaping edging. Installations of rubber tiles or poured-in-place surfaces (other than loose-fill materials) generally require a professional and are not "do-it-yourself" projects.

5. Locate bare metal platforms and slides (metal, plastic or otherwise) out of direct sun light to reduce the likelihood of serious burns. A slide that faces north will receive the least direct sunlight.
6. Provide enough room so that children can use equipment safely (example: for structures with multiple activities, a slide should not exit in front of a swing).
7. Separate active and quiet activities from each other (examples: locate sandboxes away from swings or use a guardrail barrier to separate the sandbox from the movement of the swings).
8. Check to be sure all connections are tight. **DO NOT** allow children to play on the product until it is fully assembled.
9. **DO NOT** remove any screws once installed. For disassembly, only remove parts not secured by screws.
10. **DO NOT** over-tighten screws or they will not hold parts together appropriately.
11. Take notice that screws are designed to pierce the plastic and form their own threads.
12. Minimum recommended distance between the underside of the swing and the ground is 18".

OPERATION INSTRUCTIONS:

1. Provide adult supervision at all times.
2. Limit 2 Children. Maximum weight per user 50 lbs (22,6 kg).
3. Dress children appropriately, including wearing well-fitting shoes that fully protect feet.
4. **INSTRUCT CHILDREN:**
 - to sit in the center of the swings with their full weight on the seats.
 - NOT to swinging empty seats.
 - to remove articles, before playing on equipment, that create hazards when they get tangled and caught. Examples include:
 - ponchos, scarves, and other loose-fitting clothing, bike or other sports helmets.
 - NOT to walk close to, in front of, behind, or between moving items.
 - NOT to get off equipment while it is in motion.
 - NOT to attach items to the playground equipment that are not specifically designed for use with the equipment. Examples include: jump ropes, clothesline, pet leashes, cables and chain as they may cause a strangulation hazard.
5. **NEVER ALLOW CHILDREN TO:**
 - use the equipment in a manner other than intended.
 - climb on equipment when it is snow-covered or wet.
 - use this product when temperatures fall below 32°F (0°C). Plastic materials may become brittle and crack.

MAINTENANCE INSTRUCTIONS:

1. Inspect the product periodically for loose or damaged components. Check the following items at the beginning of each season at least twice monthly during the usage:
 - all connections and bolts for tightness, Tighten as required.
 - all metal parts for wear.
 - the condition of the equipment. Look for signs of wear and tear such as broken or missing components. Repair as necessary.
 - all swing seats, ropes, cables and chains for evidence of deterioration. Replace ropes if they become brittle, frayed or significantly faded.
2. Take indoors or do not use when the temperature drops below 32°F (0°C).
3. Rake surfacing periodically to prevent compaction and maintain appropriate depths.
4. For general cleaning we recommend a 50/50 mixture of white vinegar and water.
5. Owners shall be responsible for maintaining the legibility of the warning labels and for children removing the warning label from the product.

DISPOSAL INSTRUCTIONS:

Disassemble so that no unreasonable hazards exist. Please recycle when possible. Disposal must be in compliance with all government regulations.

INSPECT THIS PRODUCT BEFORE EACH USE. TIGHTLY SECURE CONNECTIONS AND REPLACE DAMAGED OR WORN COMPONENTS. CONTACT THE STEP2 COMPANY FOR REPLACEMENT PARTS.

Consumer Information Sheet For Playground Surfacing Materials

Minimum compressed loose-fill surfacing depths

Inches of	Loose-fill Material Protects to	Fall Height (feet)
9	Shredded/ recycled rubber	10
9	Sand	4
9	Pea Gravel	5
9	Wood mulch (non-CCA)	7
9	Wood chips	10

Table X3.1

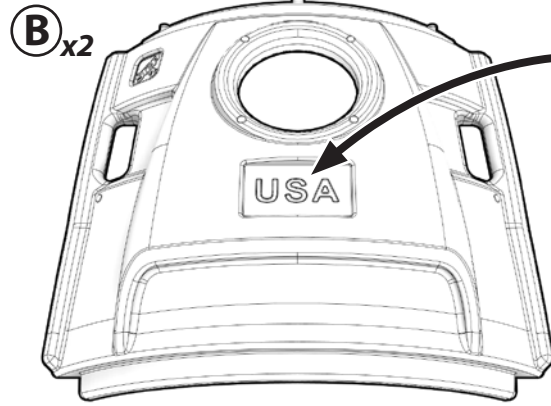
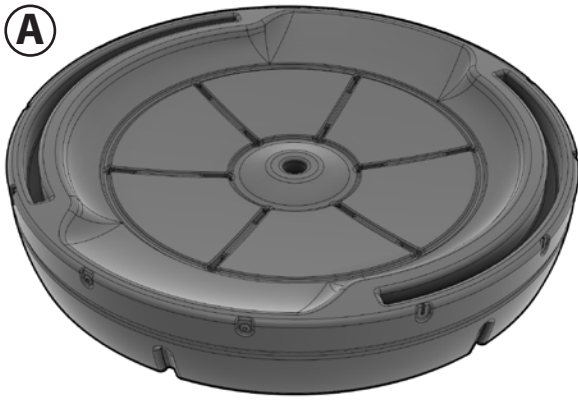
This information has been extracted from the CPSC publications "Playground Surfacing – Technical Information Guide". Copies of this publication can be obtained by sending a postcard to the: Office of Public Affairs, U.S. Consumer Product Safety Commission, Washington, D.C., 20207 or call the toll-free hotline: 1-800-638-2772.

- X3.1 The U.S. Consumer Product Safety Commission estimates that about 100,000 playground equipment related injuries resulting from falls to the ground surface are treated annually in U.S. hospital emergency rooms. Injuries involving this hazard pattern tend to be among the most serious of all playground injuries, and have the potential to be fatal, particularly when the injury is to the head. The surface under and around playground equipment can be a major factor in determining the injury-causing potential of a fall. It is self evident that a fall onto a shock absorbing surface is less likely to cause a serious injury than a fall onto a hard surface.

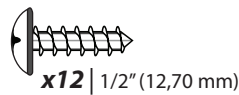
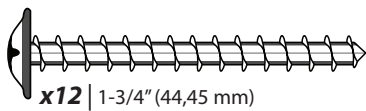
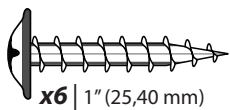
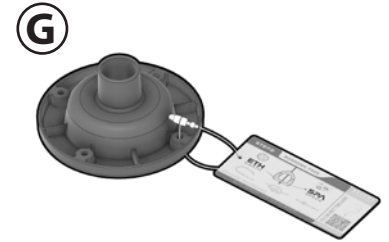
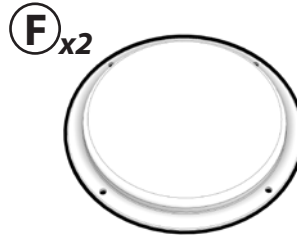
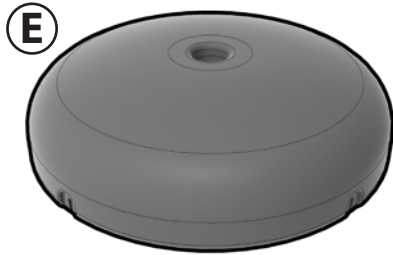
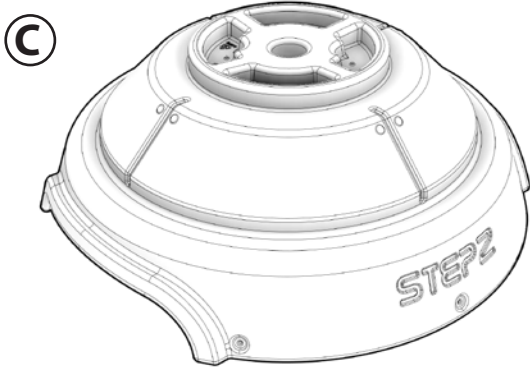
Playground equipment should never be placed on hard surfaces such as concrete or asphalt and while grass may appear to be acceptable it may quickly turn to hard packed earth in areas of high traffic. Shredded bark mulch, wood chips, fine sand or fine gravel are considered to be acceptable shock absorbing surfaces when installed and maintained at a sufficient depth under and around playground equipment.

- X3.2 Table X3.1 lists the maximum height from which a child would not be expected to sustain a life-threatening head injury in a fall onto five different loose-fill surfacing materials if they are installed and maintained at a depth of 9 in. However, it should be recognized that all injuries due to falls can not be prevented no matter what surfacing material is used.
- X3.3 It is recommended that a shock absorbing material should extend a minimum of 6.5 ft. in all directions from the perimeter of stationary equipment such as climbers and slides. However, because children may deliberately jump from a moving swing, the shock absorbing material should extend in the front and rear of swing a minimum distance of 2 times the height of the pivot point measured from a point directly beneath the pivot on the supporting structure.
- X3.4 This information is intended to assist in comparing the relative shock-absorbing properties of various materials. No particular material is recommended over another. However, each material is only effective when properly maintained. Materials should be checked periodically and replenished to maintain correct depth as determined necessary for your equipment. The choice of a material depends on the type and height of the playground equipment, the availability of the material in your area, and its cost.

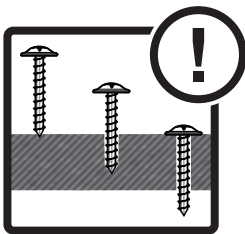
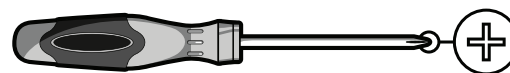
PLEASE SAVE THIS SHEET FOR FUTURE REFERENCE.



Decal Naklejka
 Autocollant Decalque
 Calcomanía Abziehbild
 Decalcomania 贴花
 Sticker صائق



NOT INCLUDED / NON INCLUS / NO INCLUIDO / NON INCLUSO / NIET INBEGREPEN /
 NÃO INCLUSO / NIE ZAWARTY / NICHT ENTHALTEN / 不包含 / غير مشمول



PLEASE NOTE: Product has no holes. Screws form their own. Apply pressure. Scan QR code for screw installation tips.

VEUILLEZ NOTER : Le produit n'a pas de trou. Les vis formeront leurs propres trous. Appliquez une pression. Scannez le code QR pour obtenir des conseils sur l'installation des vis.

POR FAVOR, TENGA EN CUENTA QUE: El producto no tiene orificios. Los tornillos forman sus propios orificios. Ejercer presión. Escanee el código QR para obtener consejos sobre la instalación de tornillos.

NOTA: Sul prodotto non sono presenti fori. Le viti sono autofilettanti. Premerle in posizione. Scansionare il codice QR per suggerimenti sull'installazione delle viti.

ATTENTIE: Dit product is niet voorzien van schroefgaten. De schroeven vormen hun eigen gaten. Oefen druk uit. Scan de QR-code voor tips ten aanzien van de installatie van schroeven.

TENHA EM ATENÇÃO: O produto não tem furos. Os parafusos são autorroscantes. Aplique pressão. Digitalize o código QR para obter dicas de instalação de parafusos.

UWAGA: Produkt nie zawiera otworów. Wkręty tworzą własne otwory. Należy je dociskać. Zeskanować kod QR, aby uzyskać wskazówki dotyczące montażu wkrętów.

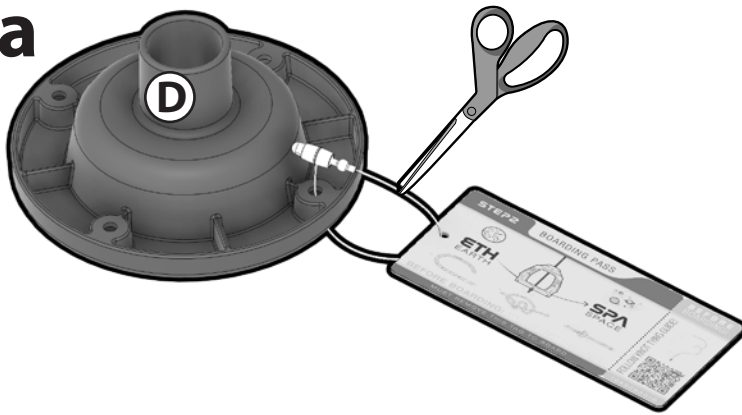
BITTE BEACHTEN: Das Produkt hat keine Bohrungen. Die Schrauben bilden beim Eindrehen ihre eigenen Bohrungen. Wenden Sie Druck an. Scannen Sie den QR-Code für Tipps zur Schraubenmontage.

请注意: 产品无孔。自攻螺钉会自己钻孔。施加压力。扫描二维码查看螺钉安装提示。

يرجى ملاحظة أنه: لا توجد ثقوب بالمنتج. تفتح المسامير الثقوب الخاصة بها. اضغط. قم مسح كود QR لقراءة النصائح الخاصة بتركيب المسامير.

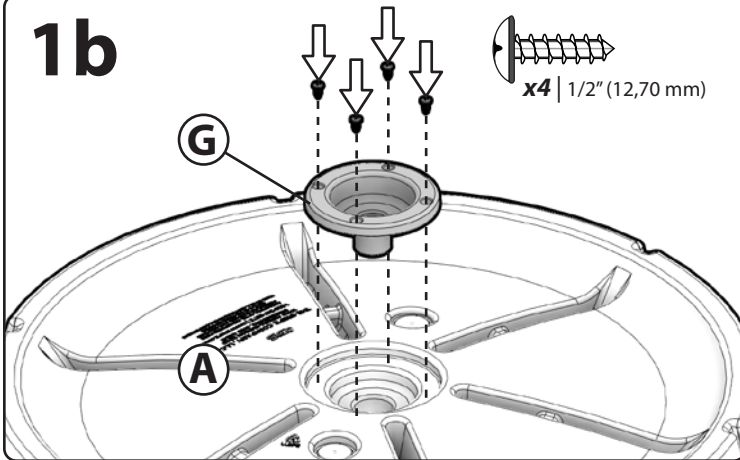
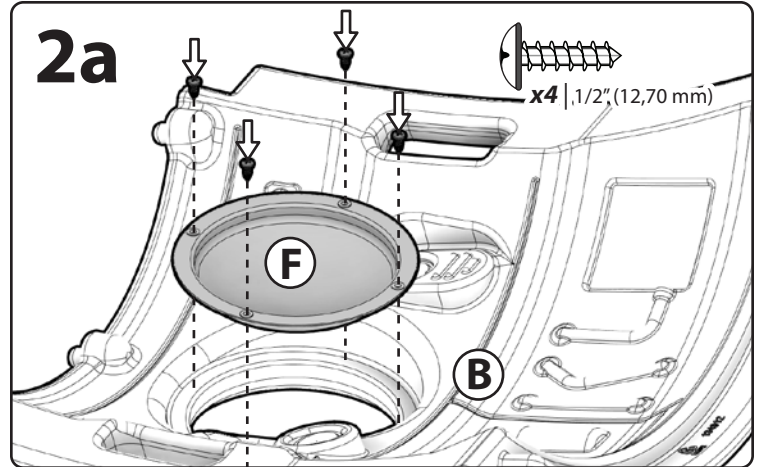
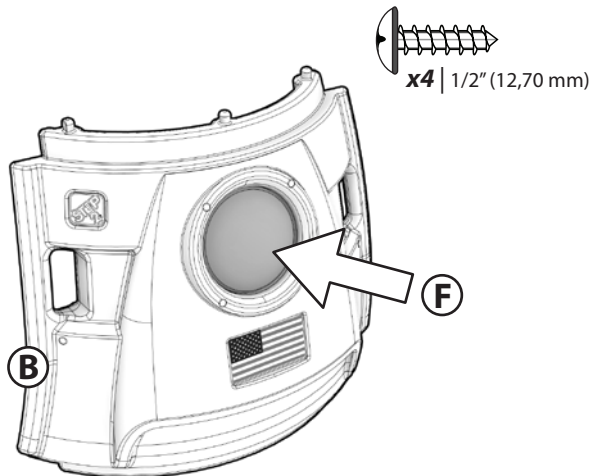


www.step2.com/video-tips

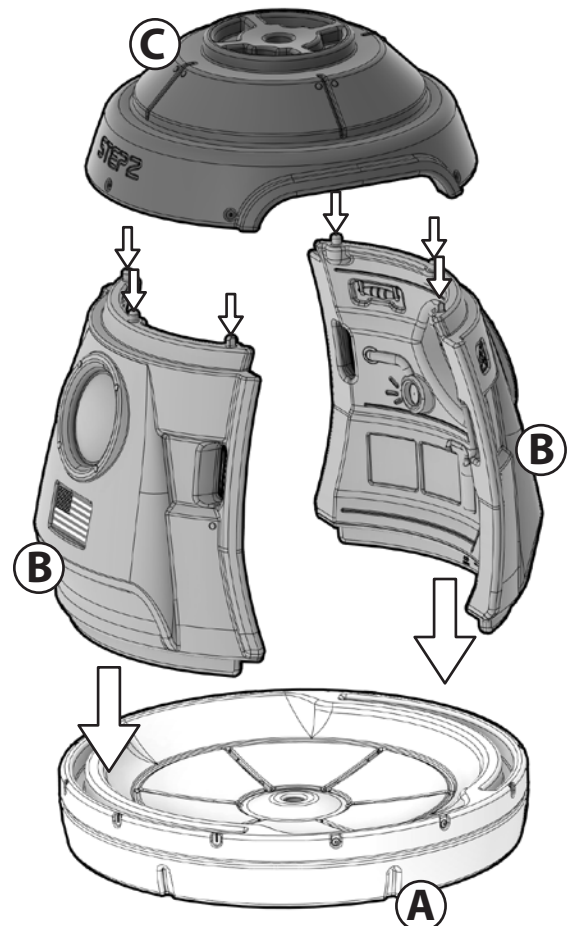
1a

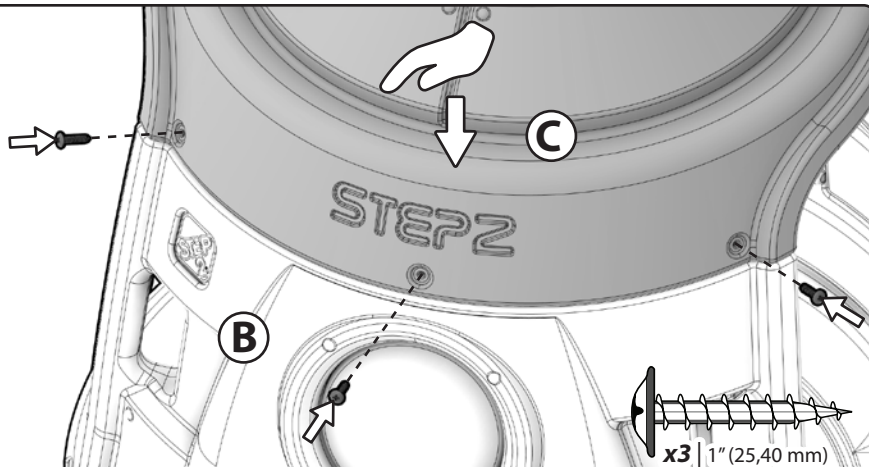
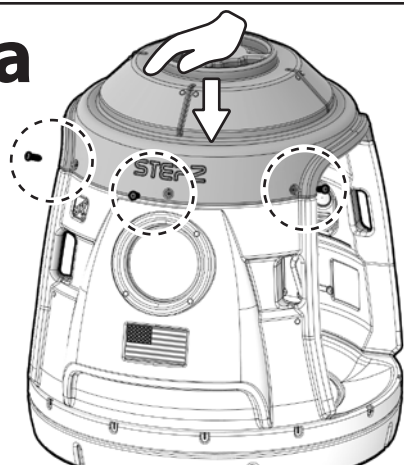
Remove boarding pass from rope anchor.
 Retirez le passage d'embarquement de la corde.
 Retire el pase de embarque de la cuerda.
 Rimuovere il passaggio di imbarco dalla corda.
 Verwijder het instapje van touw.
 Usuń przepustkę pokładową z liny.
 Remova o painel de embarque da corda.
 Entfernen Sie das Boarding Pass vom Seil.
 从绳索上卸下登机。

إزالة تمريرة الصعود من الحبل.

1b**2a****2b**

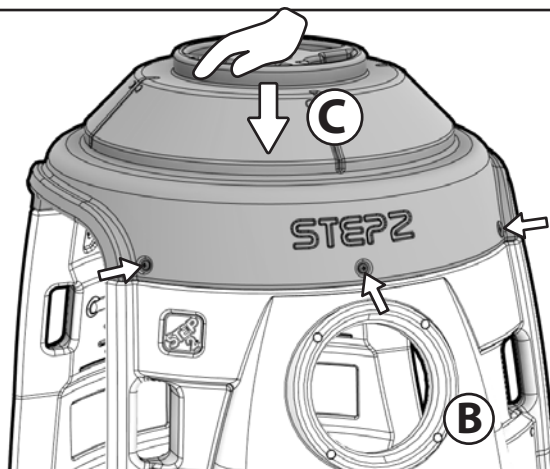
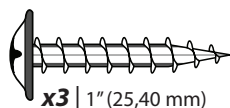
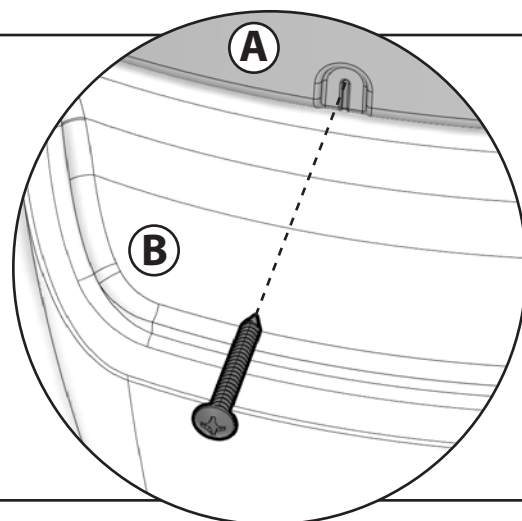
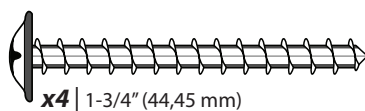
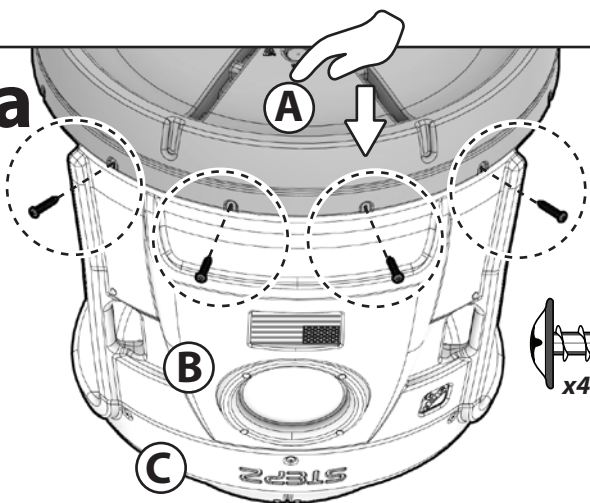
Repeat to the other side.
 Procédez de même de l'autre côté.
 Repita en el lateral opuesto.
 Ripetere sull'altro lato.
 Herhaal aan de andere kant.
 Repita para o outro lado.
 Powtórzyć po drugiej stronie.
 Auf der anderen Seite wiederholen.
 在另一側重复。
 كرر ذلك مع الجانب الأخر.

3

4a**4b**

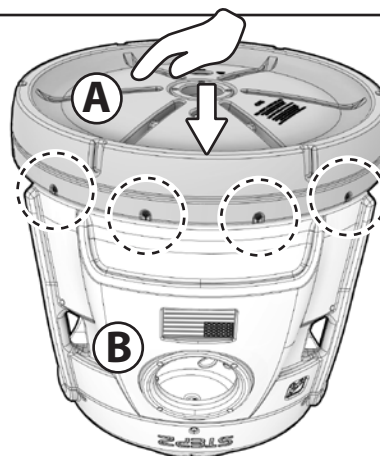
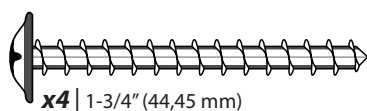
Repeat to the other side.
 Procédez de même de l'autre côté.
 Repita en el lateral opuesto.
 Ripetere sull'altro lato.
 Herhaal aan de andere kant.
 Repita para o outro lado.
 Powtórzyć po drugiej stronie.
 Auf der anderen Seite wiederholen.
 在另一側重复。

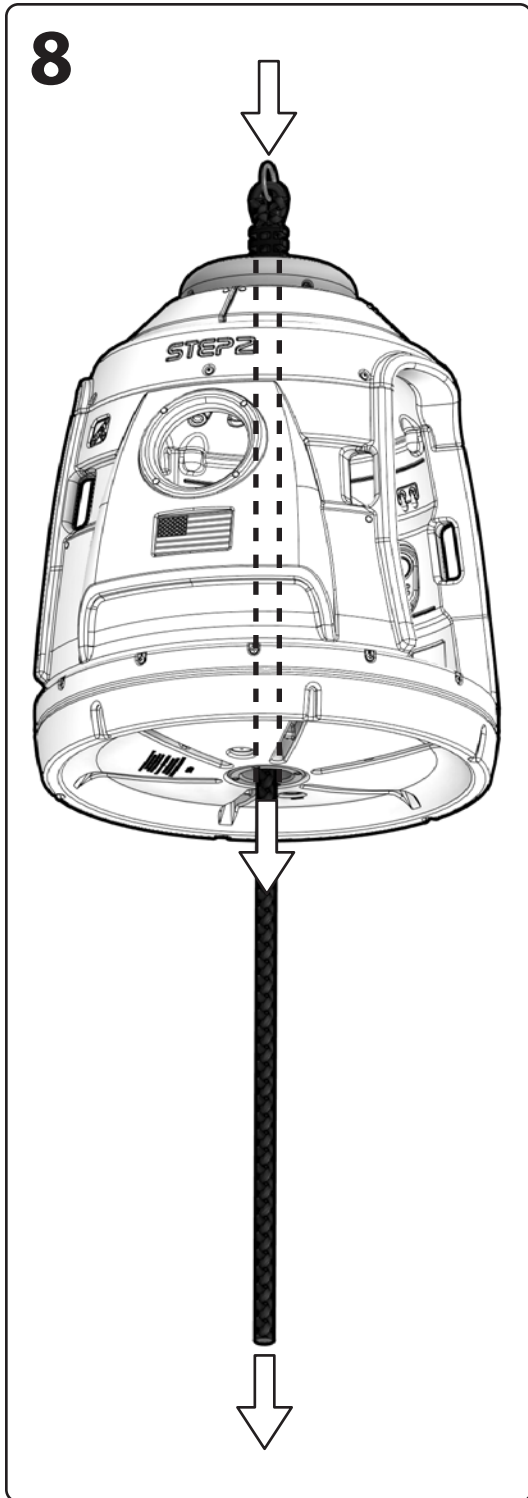
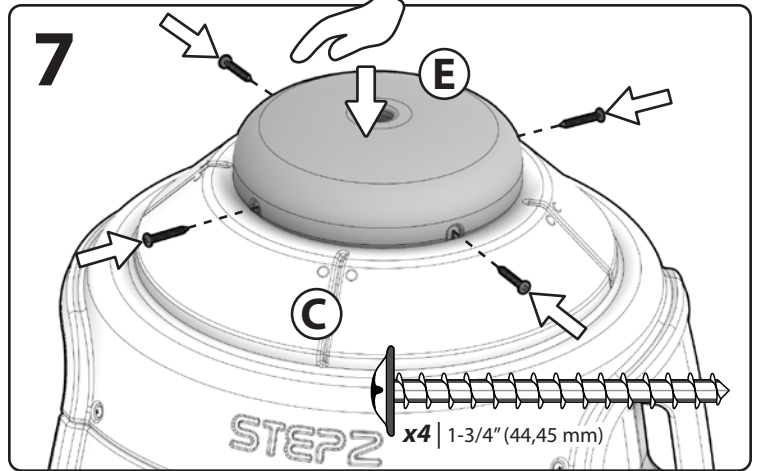
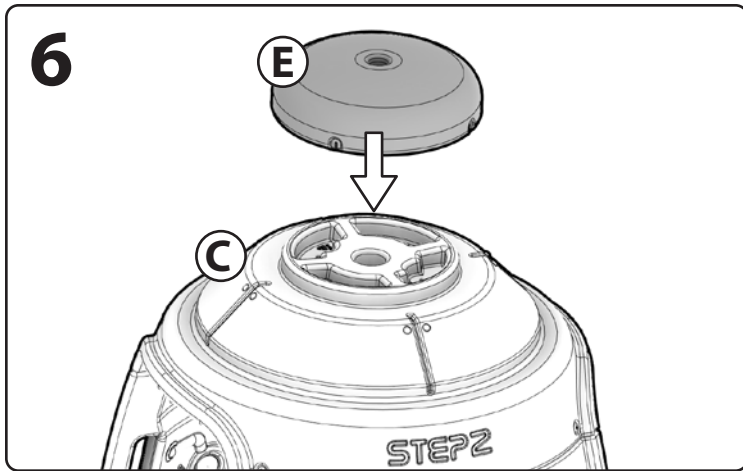
كرر ذلك مع الجانب الأخر.

**5a****5b**

Repeat to the other side.
 Procédez de même de l'autre côté.
 Repita en el lateral opuesto.
 Ripetere sull'altro lato.
 Herhaal aan de andere kant.
 Repita para o outro lado.
 Powtórzyć po drugiej stronie.
 Auf der anderen Seite wiederholen.
 在另一側重复。

كرر ذلك مع الجانب الأخر.





9

Remove Knot Tying Template & Guide (Next page KT1-KT4) from this instruction sheet. Use Scale template to mark rope to ensure correct rope knot with a minimum 4" tail.

Supprimez le modèle de nœud et le guide (page suivante KT1-KT4) de cette feuille d'instructions. Utilisez le modèle d'échelle pour marquer la corde pour assurer un nœud de corde correct avec un minimum de 4 pouces. queue.

Retire la plantilla y la guía de atado del nudo (siguiente página KT1-KT4) de esta hoja de instrucciones. Use la plantilla de escala para marcar la cuerda para garantizar el nudo correcto de la cuerda con un mínimo de 4 pulgadas. cola.

Rimuovere il modello e la guida di legatura del nodo (pagina successiva KT1-KT4) da questo foglio di istruzioni. Usa il modello di scala per contrassegnare la corda per garantire un nodo di corda corretto con un minimo di 4 pollici. coda.

Verwijder de knoopbindende sjabloon en gids (volgende pagina KT1-KT4) uit dit instructieblad. Gebruik de schaalsjabloon om touw te markeren om de juiste touwknop te garanderen met een minimum 4in. staart.

Usuń szablon wiązania węzłów i przewodnik (następna strona KT1-KT4) z tego arkusza instrukcji. Użyj szablonu skali, aby zaznaczyć linę, aby zapewnić prawidłowy węzeł liny za pomocą minimum 4 cali. ogon.

Remova o modelo de amarração e guia do nó (próxima página KT1-KT4) desta folha de instruções. Use o modelo de escala para marcar a corda para garantir um nó correto com um mínimo de 4 polegadas. cauda.

Entfernen Sie die Knotenbindungsvorlage und -anleitung (nächste Seite KT1-KT4) aus diesem Anweisungsblatt. Verwenden Sie eine Skalenvorlage, um das Seil zu markieren, um einen korrekten Seilknoten mit mindestens 4 Zoll zu gewährleisten. Schwanz.

从此说明表中删除结绑模板和指南（下一页KT1-KT4）。使用比例模板标记绳索，以确保最小4英寸的正确绳索结。尾巴。

قم بإزالة قالب ودليل ربط العقدة (الصفحة التالية 4TK-1TK) من ورقة التعليمات هذه. استخدم قالب المقياس لتمييز الحبل لضمان عقدة الحبل الصحيحة مع الحد الأدنى 4in. ذيل.

KNOT TYING TEMPLATE & GUIDE | KNOT TYING TEMPLATE & GUIDE

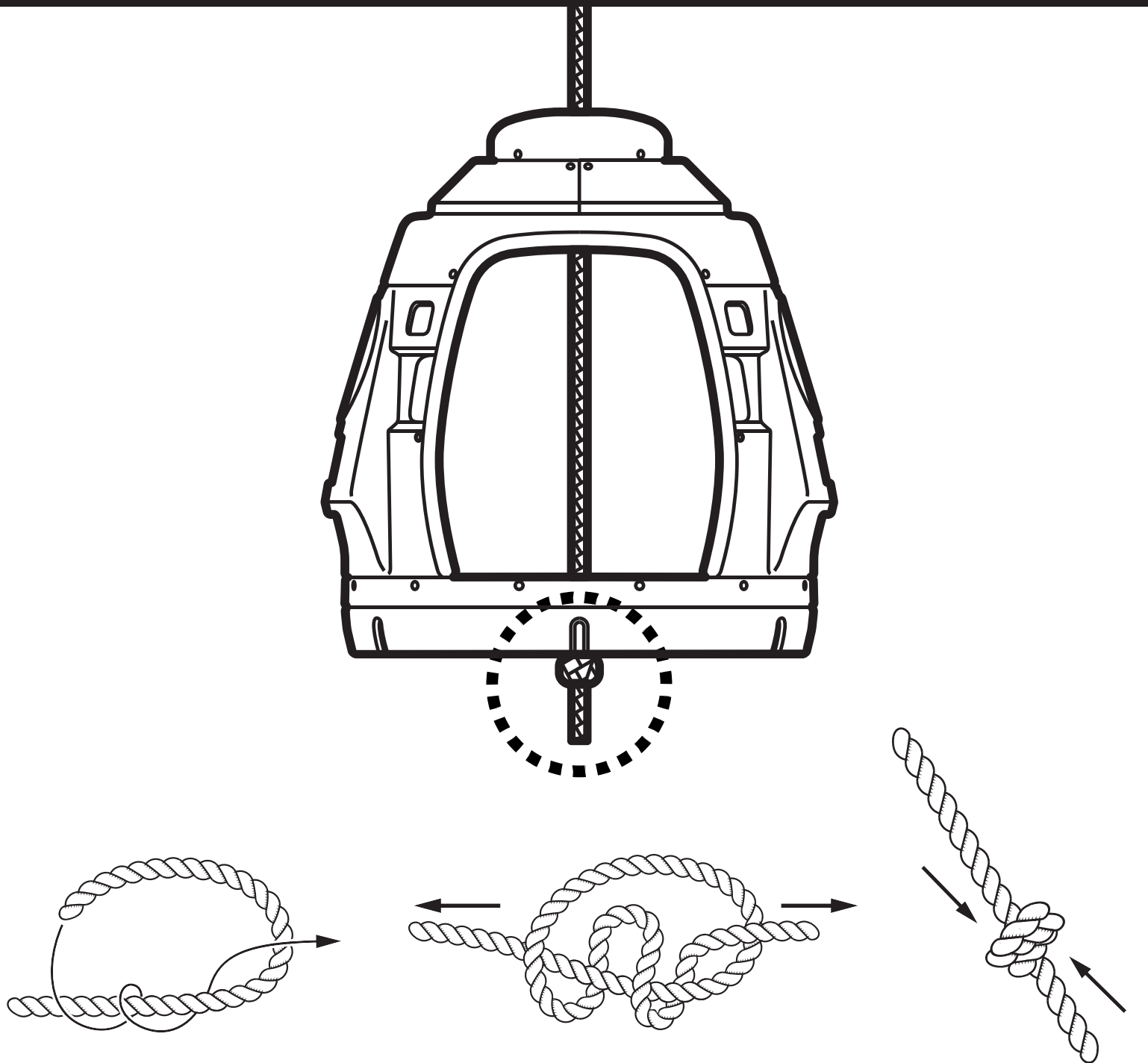
MODÈLE DE NŒUD ET GUIDE | PLANTILLA Y GUÍA DE ATADO DE NUDOS

MODELLO E GUIDA PER LEGARE NODO | KNOOPBINDENDE SJABLON EN GIDS

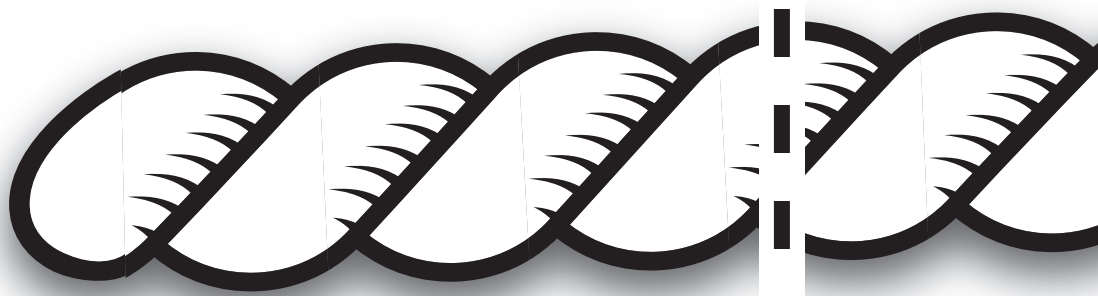
SZABLON WIĄZANIA WĘZŁÓW I PRZEWODNIK | MODELO DE AMARRAÇÃO DE NÓ E GUIA

KNOTENBINDUNGSVORLAGE UND ANLEITUNG | 结绑模板和指南

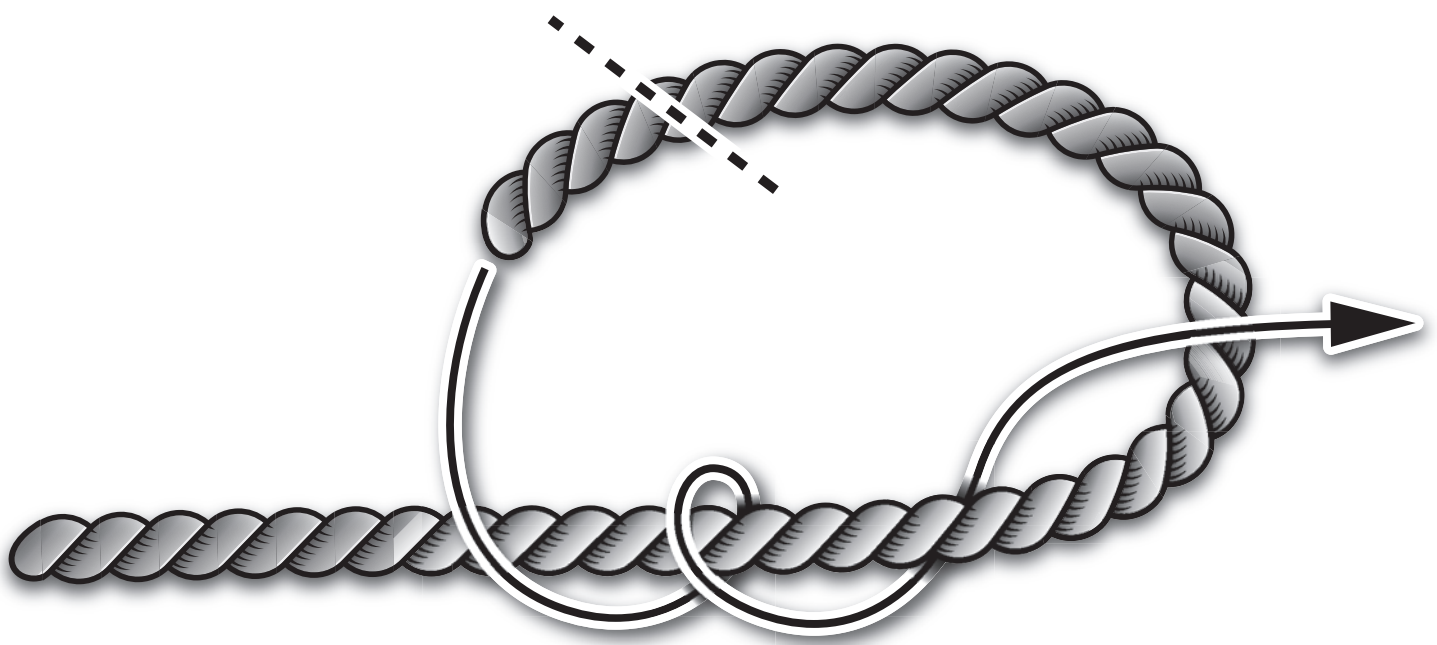
قالب ودليل ربط عقدة



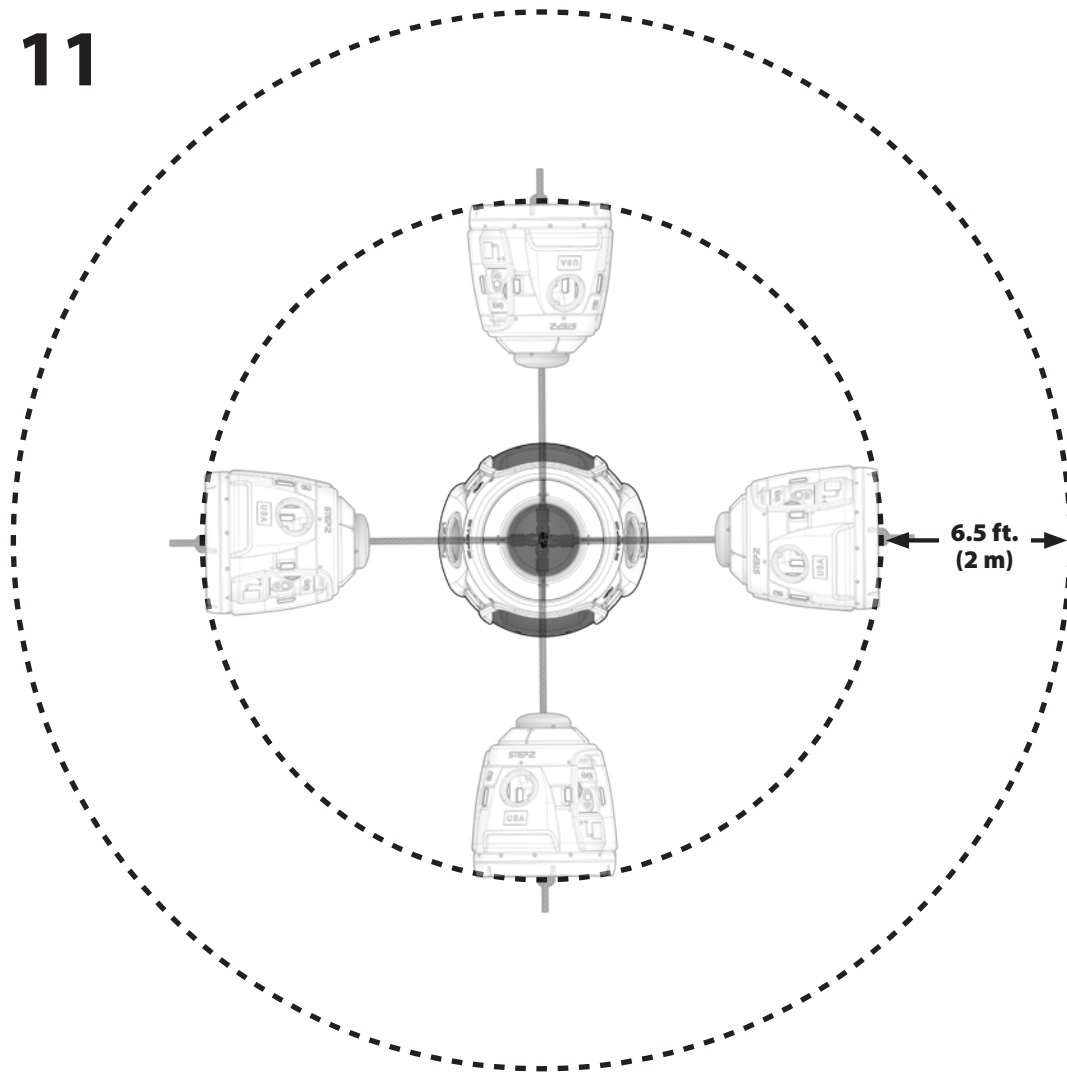
0" 1" 2" 3" 4" 5"



Mar
Mar
Mar
Mar
Mar



11



Create an obstruction-free zone with a minimum clearance of 6.5 ft. (2m) from the furthest extent of swing radius.

Créez une zone sans obstruction avec une claire minimale de 6.5 pieds (2 m) de l'étendue du rayon de swing.

Crece una zona sin obstrucción con un claro mínimo de 6.5 pies (2 m) desde la extensión del radio de oscilación.

Creare e una zona priva di ostruzioni con un clearnce minimo di 6.5 piedi (2 m) dall'estensione del raggio di swing.

Creëer en obstructie-vrije zone met een minimale clearnce van 6.5 ft. (2 m) van de verdere mate van swingradius.

Utwórz i strefę bez przeszkód z minimalnym wyczynem 6.5 stóp (2 m) z zakresu promienia wahania.

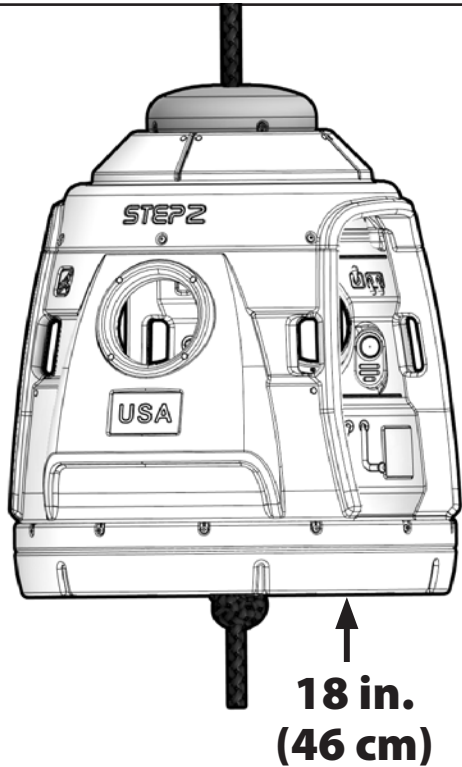
Crie e livre de obstrução com uma clara mínima de 6.5 pés (2 m) a partir da extensão mais distante do raio do balanço.

Erstellen Sie und obstruktivfreie Zone mit einer minimalen Klärung von 2 m (6.5 Fuß) aus dem weiteren Ausmaß des Schwungradius.

从秋千半径的进一步范围内创建和阻塞区，最小清除率为6.5英尺（2m）。

قم بإنشاء منطقة خالية من العرقلة مع الحد الأدنى من 6.5 أقدام (2 متر) من مدى دائرة نصف قطرها المتأرجحة.

12



Minimum height from ground: 18" (45,72 cm)

Hauteur minimale du sol: 45,72 cm

Altura mínima desde el suelo: 45,72 cm

Altezza minima da terra: 45,72 cm

Minimale hoogte van de grond: 45,72 cm

Altura mínima do solo: 45,72 cm

Minimalna wysokość z ziemi: 45,72 cm

Mindesthöhe vom Boden: 45,72 cm

地面最小高度: 16 英寸 (45.72 厘米)

الحد الأدنى من الطول من الأرض: 16 بوصة (45.72 سم)

RESPECTE LAS SIGUIENTES RECOMENDACIONES Y ADVERTENCIAS PARA DISMINUIR LA PROBABILIDAD DE SUFRIR LESIONES GRAVES O MORTALES.

CONSERVE ESTA HOJA PARA SU CONSULTA EN EL FUTURO.

ADVERTENCIA:

RIESGO DE ASFIXIA:

Contiene piezas pequeñas. Requiere montaje por parte de un adulto.

ADVERTENCIA:

Sólo para uso familiar doméstico en exteriores para niños de 3 - 7 ans. Peso máximo del usuario: 22,6 kg (50 lb) por niño.

ADVERTENCIA:

RIESGO DE ESTRANGULACIÓN

Pueden ocurrir lesiones graves o mortales.

- **NO** ate cuerdas de saltar, tendedores, correas de animales u otros objetos que cuelguen, que no estén específicamente diseñados para usarse con este equipo.
- **NO** permita que los niños usen bufandas, guantes sujetos con cordones a las mangas, ni prendas como capas, ponchos o con cordones en el cuello.
- **NO** permita que los niños usen casco cuando juegan en este equipo.
- **NO** permita que los niños lleven objetos colgados del cuello tales como collares, cantimploras, bolsos y binoculares.

ADVERTENCIA:

RIESGO DE QUEMADURAS

- Verifique siempre la temperatura del producto antes de permitir que los niños jueguen con él.
- Recuerde que el producto puede provocar quemaduras si se deja en la luz directa del sol.
- Siempre tenga en cuenta el sol y las condiciones climáticas y no asuma que el equipo es seguro debido a que la temperatura del aire no es demasiado elevada.

ADVERTENCIA:

UTILISEZ TOUJOURS LE SYSTÈME DE RETENUE POUR ENFANT.

- Suivez ces instructions soigneusement avant l'installation du produit et durant l'assemblage.
- Ne laissez pas votre enfant utiliser ce produit tant qu'un adulte n'a pas effectué une installation adéquate.
- Demandez à l'enfant de se tenir assis lorsqu'il utilise ce produit.
- La surveillance par un adulte est requise à tout moment.

ADVERTENCIA:

LESIONES DE CABEZA GRAVES O LESIONES MORTALES

Las caídas en superficies duras pueden ocasionar lesiones graves o mortales. No instale juegos en superficies duras tales como hormigón, asfalto, tierra apisonada, césped, moqueta ni ninguna otra superficie dura. Se requiere la supervisión de un adulto.

INFORMACIÓN DE SEGURIDAD:

1. Nunca agregue longitud adicional a la cadena o cuerda. Las cadenas o cuerdas provistas tienen la longitud máxima diseñada para los elementos oscilantes.
2. Para reducir lesiones, asegúrese de que la zona se encuentre libre de obstáculos. Mantenga una distancia mínima de por lo menos 2 m (6,5 pies) de estructuras u obstrucciones tales como cercas, edificios, ramas bajas, tocones o raíces de árboles, rocas grandes, ladrillos, hormigón, garajes, casas, ramas bajas, cuerdas de tendedores o cables eléctricos.
3. Elija un área nivelada para el equipo a fin de reducir la probabilidad de que éste se vuelque y para evitar que las lluvias fuertes arrastren el cuerdas de tendedores de la superficie amortiguadora.
4. Altura de caída: 736,6 mm (29 pulg). No instale el producto o el material de superficie amortiguadora en hormigón, asfalto, tierra apisonada, césped, alfombra ni ninguna otra superficie dura. El juego está diseñado para uso doméstico. El juego está diseñado para uso doméstico. Las caídas en superficies duras pueden ocasionar lesiones graves. Las instrucciones sobre el Material de la superficie amortiguadora para ofrecer la protección adecuada contra caídas se incluyen en esta hoja de instrucciones (consulte la tabla X3.1. Para mantener Las instrucciones sobre el material de relleno suelto de la superficie amortiguadora para ofrecer la protección adecuada contra caídas se incluyen en esta hoja de instrucciones (consulte la tabla X3.1 de material

- suelto de amortiguación, use el método de contención. Para ello, excave alrededor del perímetro o revístalo con rebordes para paisajismo. La instalación de baldosas de goma o superficies moldeadas in situ (que difieren del material de relleno suelto de la superficie amortiguadora no es un proyecto que pueda hacer usted mismo y requiere, por lo general, de un profesional.
5. Ubique plataformas de metal desnudas y toboganes (metal, plástico o de otro tipo) fuera de la luz directa del sol para reducir la probabilidad de quemaduras graves. Una diapositiva que mira hacia el norte recibirá la menor luz solar directa.
 6. Proporcione suficiente espacio para que los niños utilicen el equipo de manera segura; por ejemplo, en el caso de estructuras con varios juegos, un tobogán no debe tener salida delante de un columpio.
 7. Separe los juegos activos de los pasivos; por ejemplo, mantenga el arenero separado de los columpios o utilice una barrera de protección para separar el arenero del movimiento de los columpios.
 8. Asegúrese que todas las conexiones estén ajustadas. **NO** permita que los niños jueguen en el producto hasta que no esté completamente montado.
 9. **NO** quite ningún tornillo una vez que se haya montado. Para desmontar, retire solo las piezas que no estén atornilladas.
 10. **NO** apriete los tornillos en exceso, ya que las piezas no quedarían unidas de manera adecuada.
 11. Los tornillos están diseñados para perforar el plástico y formar sus propias roscas.
 12. Se recomienda una distancia mínima de 45,72 cm entre el lado inferior del columpio y el suelo.

INSTRUCCIONES DE FUNCIONAMIENTO:

1. Este producto requiere supervisión de un adulto en todo momento.
2. Límite: 2 niño. Peso máximo del usuario: 22,6 kg (50 lb).
3. Vista a los niños adecuadamente, lo cual incluye zapatos que calcen bien y que protejan los pies completamente.
4. **ASEGÚRESE QUE LOS NIÑOS:**
 - se sienten en el centro del columpio con el peso completo en el asiento.
 - eviten columpiar asientos vacíos.
 - se quiten antes de jugar en el equipo, objetos que puedan poner en riesgo al quedar enredados y enganchados. Tales objetos incluyen: ponchos, bufandas y otras prendas sueltas, también cascos que se utilizan para bicicleta o para otros deportes.
 - no caminen cerca, delante, detrás o entre objetos en movimiento.
 - no tuerzan las cadenas o cuerdas del columpio ni las enlacen en la barra de soporte superior ya que hacerlo puede reducir la resistencia de la cadena o cuerda.
 - no bajen del equipo mientras esté en movimiento.
 - no aten en el juego objetos que no estén específicamente diseñados para usarse con el mismo. Por ejemplo: cuerdas de saltar, tendedores, correas de animales, cables y cadenas, ya que pueden suponer un riesgo de estrangulación.
5. **NUNCA PERMITA QUE LOS NIÑOS:**
 - utilicen el equipo de una manera para la que no fue diseñado.
 - se suban al juego cuando esté húmedo o cubierto de nieve.
 - utilicen el equipo cuando las temperaturas sean inferiores a 0 °C (32 °F). Los materiales plásticos pueden quebrarse y agrietarse.

INSTRUCCIONES DE MANTENIMIENTO:

1. Examine el producto periódicamente y verifique si tiene componentes dañados o sueltos. Al principio de cada temporada de uso y durante dicha periodo, inspeccione lo siguiente por lo menos dos veces al mes:
 - todas las conexiones y pernos. Asegúrese de que estén bien apretados y ajústelos según sea necesario.
 - todas las piezas metálicas móviles.
 - el estado del equipo. Asegúrese de que no haya indicios de desgaste tal como componentes que falten o estén dañados. Repárelos según sea necesario.
 - los asientos, las cuerdas, los cables y las cadenas de los columpios para detectar signos de deterioro. Sustituya las cuerdas si se encuentran deshinchadas, desgastadas o muy descoloridas.
2. Guárdelo el producto o no lo utilice cuando la temperatura sea inferior a 0 °C (32°F).
3. Rastrielle periódicamente la superficie amortiguadora para evitar que se compacte y para mantener la profundidad adecuada.
4. Para realizar una limpieza general, use una mezcla 50/50 de vinagre blanco y agua.
5. Los dueños deben responsabilizarse de que las etiquetas de advertencia permanezcan legibles y que los niños no quiten las etiquetas de advertencia del producto.

INSTRUCCIONES PARA LA ELIMINACIÓN:

Desármelo para evitar riesgos innecesarios. Recicle los componentes si tiene la posibilidad. La eliminación de este producto se debe realizar de conformidad con la normativa gubernamental.

EXAMINE EL PRODUCTO ANTES DE CADA UTILIZACIÓN. FIJE LAS CONEXIONES Y SUSTITUYA LOS COMPONENTES QUE PRESENTEN DAÑOS O DESGASTE. PÓNGASE EN CONTACTO CON LA EMPRESA STEP2 PARA OBTENER PIEZAS DE REPUESTO.

- Desármelo para evitar riesgos innecesarios. Recicle los componentes si tiene la posibilidad. La eliminación de este producto se debe realizar de conformidad con la normativa gubernamental.
- **EXAMINE EL PRODUCTO ANTES DE CADA UTILIZACIÓN. FIJE LAS CONEXIONES Y SUSTITUYA LOS COMPONENTES QUE PRESENTEN DAÑOS O DESGASTE. PÓNGASE EN CONTACTO CON LA EMPRESA STEP2 PARA OBTENER PIEZAS DE REPUESTO.**

Hoja de información al consumidor sobre Materiales de Superficies de Juego

Profundidad mínima de la superficie amortiguadora

Pulgadas de	(superficie amortiguadora) protege hasta	altura de caída (pies)
9	Caucho reciclado/triturado	10
9	Arena	4
9	Gravilla	5
9	Acolchado de madera (sin CCA)	7
9	Astillas de madera	10

Tabla X3.1

Esta información se ha extraído de las publicaciones de CPSC "Superficies de juego - Guía de información técnica" (Playground Surfacing-Technical Information Guide). Se pueden obtener copias de esta publicación enviando una postal a: Office of Public Affairs, U.S. Consumer Product Safety Commission, Washington, D.C., 20207 o llamando a la línea de asistencia gratuita: 1-800-638-2772.

- X3.1 La Comisión de Seguridad de Productos de Consumo de EE.UU. (CPSC - Consumer Product Safety Commission) calcula que en salas de emergencia de hospitales de EE.UU., se tratan aproximadamente 100.000 lesiones al año relacionadas con caídas de juegos de parque. Dichas lesiones se encuentran entre las más graves dentro de las relacionadas con juegos de parque y pueden llegar a ser mortales, especialmente si son en la cabeza. La superficie debajo y alrededor del juego puede ser un factor muy importante para determinar el potencial de una lesión provocada por una caída. Es evidente que una caída en una superficie amortiguadora tiene menos probabilidad de causar una lesión grave que una caída en una superficie dura.

Nunca deben instalarse los juegos en superficies duras como hormigón o asfalto y si bien el césped puede parecer una superficie aceptable, puede tomarse rápidamente en tierra compacta en zonas de mucho tránsito. Tanto el acolchado de corteza triturada, como las astillas de madera y la grava o arena fina se consideran superficies amortiguadoras aceptables cuando se instalan y mantienen a suficiente profundidad debajo y alrededor del juego.

- X3.2 La Tabla X3.1 indica la altura máxima de caída en cinco superficies amortiguadoras diferentes, donde no se espera que un niño sufra una lesión en la cabeza que ponga en riesgo su vida, si se instalan y mantienen a una profundidad de 23cm (9 pulg.) Sin embargo ha de admitirse que, sin importar el material de superficie que se utilice, no pueden prevenirse todas las lesiones ocasionadas por caídas.

- X3.3 Se recomienda que el material amortiguador se extienda un mínimo de 2m (6,5 pies) en todas las direcciones desde el perímetro de juegos fijos como equipos para trepar y toboganes. Sin embargo debido a que los niños pueden saltar de forma deliberada de un columpio en movimiento, se recomienda que el material de amortiguación, delante y detrás del columpio, se extienda una distancia mínima de 2 veces la altura del centro de giro medido en un punto que esté directamente debajo del pivote en la estructura de apoyo.

- X3.4 El objetivo de esta información es asistir en la comparación de las propiedades relativas de amortiguación de diferentes materiales. No se recomienda ninguno en particular. Sin embargo, todo material es efectivo solamente si recibe el mantenimiento adecuado. Inspecciónelo periódicamente y rellénelo para mantener la profundidad apropiada que requiera su equipo. La elección de material depende del tipo y altura del juego, del coste y de la disponibilidad de material en su área.

CONSERVE ESTA HOJA PARA SU CONSULTA EN EL FUTURO.

OSSERVARE LE SEGUENTI DICHIARAZIONI E AVVERTENZE PER RIDURRE IL RISCHIO DI INFORTUNI GRAVI O FATALI.

CONSERVARE QUESTO FOGLIO PER FUTURO RIFERIMENTO.

AVVERTENZE:

RISCHIO DI SOFFOCAMENTO:

Parti di dimensioni ridotte. È necessario il montaggio da parte di adulti.

AVVERTENZE:

Solo per uso domestico in esterni da parte di bambini dai 3 - 7 años. Peso massimo dell'utilizzatore: 50 lb (22,6 kg) per bambino.

AVVERTENZE:

RISCHIO DI STRANGOLAMENTO

Possono verificarsi lesioni personali gravi o morte.

- **NON** attaccare corde da salto, fili per il bucato, guinzagli o altri elementi pendenti non specificatamente progettati per l'utilizzo con questo apparecchio.
- **NON** permettere ai bambini di indossare scarpe, guanti con cordoncini che escono dalle maniche o indumenti quali cappe, poncho o capi con lacci al collo.
- **NON** permettere ai bambini di indossare caschetti mentre giocano sull'attrezzatura.
- **NON** permettere ai bambini di indossare elementi intorno al collo quali collane, borracce, borse o binocoli.

AVVERTENZE:

PERICOLO DI USTIONI

- Controllare sempre la temperatura del prodotto prima di permettere ai bambini di giocare con esso.
- Ricordarsi che il prodotto possono provocare ustioni se lasciato in luce diretta del sole.
- Prestare sempre la massima attenzione alle condizioni meteo e al sole, e non presumere che l'attrezzatura sia sicura perché la temperatura dell'aria non è molto alta.

AVVERTENZE:

USARE SEMPRE LE RESTRIZIONI PER I BAMBINI

- Seguire queste istruzioni con cura durante il montaggio e prima di installare il prodotto.
- Non consentire al bambino di utilizzare questo prodotto prima del completamento dell'installazione da parte di un adulto.
- Insegnare al bambino di restare seduto durante l'uso di questo prodotto.
- Occorre la supervisione continua da parte di un adulto.

AVVERTENZE:

POSSONO VERIFICARSI LESIONI ALLA TESTA O MORTE.

Cadere su una superficie dura può causare lesioni personali gravi o morte. Non installare l'attrezzatura per terreno da gioco su superfici dure quali asfalto, cemento, terra battuta, erba, tappeti o altre superfici resistenti. Si richiede la supervisione di un adulto.

INFORMAZIONI SULLA SICUREZZA:

1. Non aggiungere mai ulteriore lunghezza alla catena o alla fune. Le catene o le funi fornite sono la lunghezza massima progettata per gli elementi oscillanti.
2. Creare uno spazio privo di ostacoli per ridurre il rischio di lesioni. Mantenere una distanza minima di 2 m da strutture o da ostacoli (per esempio: recinzione, edifici, rami bassi sovrastanti radici/ceppi di alberi, massi, mattoni, garage, case, cemento, o cavi elettrici).
3. Scegliere un'area piana per installare l'attrezzatura in modo da ridurre la probabilità che l'unità si rovesci e che i materiali di scarsa aderenza alle superfici" siano trascinati via durante piogge abbondanti.
4. Altezza di caduta: 736,6 mm. Non installare il prodotto o il materiale di superficie sopra cemento, asfalto, terra battuta, erba, tappeti o altre superfici dure. L'attrezzatura per aree di gioco per uso domestico **NON DEVE ESSERE UTILIZZATA** all'interno priva della protezione da caduta. Le cadute su superfici dure potrebbero comportare gravi lesioni personali. Nel foglio di istruzioni (vedere tabella X3.1) sono riportate le linee guida per i materiali di superficie del terreno di gioco

per garantire una protezione da caduta sufficiente. Per mantenere il livello adeguato di materiale "di scarsa aderenza", utilizzare tecniche di contenimento quali scavi intorno al perimetro e/o allineamenti con la bordatura del terreno. Le installazioni di mattonelle di gomma e superfici gettate in opera (diverse da materiali con scarsa aderenza alle superfici) richiedono generalmente un professionista e non sono progetti indicati per il "fai-da-te".

5. Individua le piattaforme e gli scivoli in metallo nudo (metallo, plastica o altro) lontano dalla luce diretta del sole per ridurre la probabilità di gravi ustioni. Una diapositiva rivolta a nord riceverà la luce solare meno diretta.
6. Dotare di spazio a sufficienza in modo che i bambini possano utilizzare l'attrezzatura in modo sicuro (per esempio: per strutture con più attività, uno scivolo non dovrebbe uscire di fronte a un'altalena).
7. Separare le attività più tranquille da quelle dinamiche (per esempio: collocare i piccoli recinti di sabbia lontano dalle altalene o utilizzare una barriera di protezione per separare il piccolo recinto di sabbia dai movimenti delle altalene).
8. **NON** rimuovere le viti dopo l'installazione. Per lo smontaggio, rimuovere solo le parti non fissate dalle viti.
9. **NON** stringere eccessivamente le viti poiché ciò potrebbe causare un collegamento non corretto dei componenti.
10. Considerare che le viti sono progettate per forare la plastica e formare filetti.
11. Verificare accuratamente che tutti i collegamenti siano ben saldi. **NON** permettere ai bambini di giocare con l'attrezzatura prima che questa sia stata completamente assemblata.
12. La distanza minima raccomandata dal lato inferiore dell'altalena è dai 45,72 cm.

ISTRUZIONI DI FUNZIONAMENTO:

1. È necessaria la supervisione costante da parte di un adulto.
2. Limite: 2 bambino. Peso massimo dell'utente di 22 kg (50 lb) alla volta.
3. Vestire i bambini in modo appropriato, incluse scarpe della misura appropriata che proteggano completamente i piedi.
4. **INSEGNARE AI BAMBINI:**
 - sedere sempre al centro delle altalene con il peso pieno sui seggiolini,
 - evitare di far oscillare i seggiolini vuoti,
 - rimuovere oggetti, prima di utilizzare il giocattolo, che possono creare pericoli se aggrovigliati e afferrati. Alcuni esempi: poncho, scarpe e altri indumenti larghi, caschi per il ciclismo o per altri sport.
 - non camminare troppo vicino, davanti o dietro all'altalena o tra oggetti in movimento,
 - non attorcigliare le catene o le corde o avvolgerle sopra la barra di supporto superiore perché ciò potrebbe ridurre la resistenza della catena o della corda,
 - non scendere dall'altalena quando questa è in movimento,
 - non attaccare articoli all'attrezzatura del terreno di gioco che non siano stati specificatamente progettati per questo uso, per esempio: corde da salto, fili per il bucato, guinzagli, cavi e catene poiché potrebbero provocare un rischio di strangolamento.
5. **NON PERMETTERE MAI AI BAMBINI DI:**
 - usare l'attrezzatura in modo diverso da quanto previsto,
 - arrampicarsi sull'attrezzatura quando è coperta di neve o bagnata.
 - utilizzare questo prodotto quando la temperatura è inferiore a (0 °C) (32 °F). I materiali di plastica potrebbero diventare fragili e spezzarsi.

ISTRUZIONI PER LA MANUTENZIONE:

1. Ispezionare periodicamente il prodotto per verificare che i componenti non siano danneggiati o allentati. Controllare i seguenti elementi almeno due volte al mese durante la stagione di utilizzo e all'inizio di ogni stagione:
 - la condizione generale dell'attrezzatura, tenuta di tutti i bulloni e dei collegamenti; serrare se necessario.
 - tutte le parti mobili in metallo.
 - la condizione generale dell'attrezzatura. Cercare segni di usura e rottura quali componenti mancanti o guasti. Riparare qualora necessario.
 - tutti i seggiolini, le corde, i cavi e le catene dell'altalena per tracce di deterioramento. Sostituire le corde quando queste sono fragili, logorate o evidentemente sbiadite.
2. Spostare in interni o non utilizzare a temperature inferiori ai 0 °C (32 °F)
3. Usa una miscela 50/50 di aceto bianco e acqua.
4. Rastrellare periodicamente la superficie per evitare la compattazione e mantenere le profondità appropriate.
5. I proprietari saranno responsabili del mantenimento della leggibilità delle etichette di avviso e della loro rimozione dal prodotto da parte dei bambini.

ISTRUZIONI PER LO SMALTIMENTO:

Smontare il prodotto in modo da impedire ogni pericolo. Riciclare quando possibile. Lo smaltimento deve essere effettuato in conformità a tutti i regolamenti previsti dal governo.

ISPEZIONARE QUESTO PRODOTTO PRIMA DI CIASCUN UTILIZZO. CHIUDERE FERMAMENTE LE CONNESSIONI E SOSTITUIRE I COMPONENTI DANNEGGIATI O USURATI. CONTATTARE STEP2 COMPANY PER OTTENERE RICAMBI.

Informazioni per il cliente sui materiali delle superfici di gioco.

Profondità minime superfici "loose fill" compresse

Pollici Di	(materiale "loose-fill") protegge da una	caduta di (piedi)
9	Caucho reciclado/triturado	10
9	Arena	4
9	Gravilla	5
9	Acolchado de madera (sin CCA)	7
9	Astillas de madera	10

Tabella X3.1

Questa informazione è stata estratta dalle pubblicazioni CPSC "Playground Surfacing – Technical Information Guide". È possibile ottenere copie di tale pubblicazione scrivendo a: Office of Public Affairs, U.S. Consumer Product Safety Commission, Washington, D.C., 20207 oppure chiamando la hotline gratuita: 1-800-638-2772.

- X3.1 La U.S. Consumer Product Safety Commission stima negli U.S.A. circa 100.000 ricoveri d'emergenza l'anno in seguito ad incidenti legati a superfici di gioco, risultanti da cadute a terra. Gli incidenti correlati a tale tipo di rischi sono solitamente estremamente gravi e possono essere fatali, in particolare in caso di infortuni alla testa. La superficie al di sotto e attorno alla superficie di gioco può essere determinante per la rischiosità delle cadute. Ovviamente una caduta su una superficie per l'assorbimento degli urti riduce la probabilità di incidenti piuttosto che una superficie dura.

L'apparecchiatura non deve essere posizionata su superfici dure come cemento o asfalto e se l'erba potrebbe apparire una superficie accettabile può trasformarsi rapidamente un terreno duro in aree ad alto traffico. Pacciamatura di cortecchia sminuzzata, cippato, sabbia fine o ghiaia fine sono considerate superfici ad assorbimento degli urti se installate e mantenute ad una profondità sufficiente sotto e attorno l'apparecchiatura.

- X3.2 Nella tabella X3.1 sono elencate le altezze massime da cui è ridotto il rischio di incidenti mortali alla testa in caso di cadute del bambino su superfici "loose fill" in cinque materiali installati e mantenuti a una profondità di 9 pollici. Tuttavia, occorre tenere presente che qualunque sia il materiale della superficie è impossibile prevenire completamente incidenti in seguito a cadute.
- X3.3 Si raccomanda un materiale di assorbimento degli urti esteso almeno 6,5 ft in ciascuna direzione dal perimetro di apparecchiature statiche come ramponi e scivoli. Tuttavia, dato che i bambini potrebbero decidere di saltare in seguito a un oscillamento, il materiale di assorbimento deve estendersi davanti e dietro il componente oscillante per una distanza minima pari al doppio dell'altezza del perno misurata da un punto direttamente sottostante al perno sulla struttura di supporto.
- X3.4 Queste informazioni hanno lo scopo di assistere la comparazione delle proprietà di assorbimento degli urti di diversi materiali. Nessun material in particolare è più raccomandabile di altri. Tuttavia, ciascun materiale è efficace solo con una manutenzione adeguata. È necessario controllare periodicamente e reintegrare per il mantenimento della profondità necessaria per l'apparecchiatura. La scelta del materiale dipende dal tipo e dall'altezza dell'apparecchiatura, la disponibilità del materiale nella propria area e il suo costo.

CONSERVARE QUESTO FOGLIO PER FUTURO RIFERIMENTO

RESPECTEZ LES ÉNONCÉS ET AVERTISSEMENTS SUIVANTS POUR RÉDUIRE LA PROBABILITÉ DE BLESSURE GRAVE, VOIRE MORTELLE.

CONSERVEZ CETTE FEUILLE POUR RÉFÉRENCE ULTÉRIEURE.

▲ MISE EN GARDE :

DANGER D'ÉTOUFFEMENT

Petite pièces. Assemblage par un adulte requis.

▲ MISE EN GARDE :

Ce produit est destiné uniquement à un usage familial en extérieur par des enfants de 3 - 7 ans. Poids maximal : 22,6 kg (50 lb) par enfant.

▲ MISE EN GARDE :

RISQUE D'ÉTRANGLEMENT

des blessures graves, voire mortelles, peuvent se produire.

- **NE PAS** attacher des cordes à sauter, des cordes à linge, des chaînes pour animaux de compagnie ou d'autres objets mobiles suspendus qui ne sont pas spécifiquement conçus une utilisation avec cet équipement.
- **NE PAS** permettre aux enfants de porter des foulards, des gants avec des cordons dans les manches, ou des vêtements comme des capes, ponchos ou avec des cordons autour du cou.
- **NE PAS** permettre aux enfants de porter un casque quand ils jouent sur l'équipement.
- **NE PAS** permettre aux enfants de porter des objets autour du cou comme des colliers, des gourdes, des sacs à main et des jumelles.

▲ MISE EN GARDE :

DANGER DE BRÛLURE

- Vérifiez toujours la température du produit avant de laisser vos enfants jouer avec.
- N'oubliez pas que le produit peut causer des brûlures si elle est laissée en plein soleil.
- Faites toujours attention au soleil et aux conditions météorologiques, et ne supposez jamais que le matériel est sûr parce que la température de l'air n'est pas très élevée.

▲ MISE EN GARDE :

UTILISEZ TOUJOURS LE SYSTÈME DE RETENUE POUR ENFANT.

- Suivez ces instructions soigneusement avant l'installation du produit et durant l'assemblage.
- Ne laissez pas votre enfant utiliser ce produit tant qu'un adulte n'a pas effectué une installation adéquate.
- Demandez à l'enfant de se tenir assis lorsqu'il utilise ce produit.
- La surveillance par un adulte est requise à tout moment.

▲ MISE EN GARDE :

DES BLESSURES GRAVES, VOIRE MORTELLES, À LA TÊTE PEUVENT SE PRODUIRE.

Une chute sur une surface dure peut provoquer une blessure grave, voire mortelle. N'installez pas l'équipement d'aire de jeu sur des surfaces dures comme du ciment, de l'asphalte, de la terre compactée, de la pelouse, de la moquette ou sur toute autre surface dure. Surveillance continue par un adulte requise.

RENSEIGNEMENTS DE SÉCURITÉ :

1. N'ajoutez jamais de longueur supplémentaire à la chaîne ou à la corde. Les chaînes ou cordes fournies ont la longueur maximale prévue pour le ou les éléments oscillants.
2. Créez un site sans obstacles pour réduire les blessures. Maintenez une distance minimum de 2 m avec toute structure ou tout obstacle (par exemple, une barrière, un bâtiment, des branches basses pendantes, des souches et ou racines d'arbres, de grandes roches, des briques, du béton, des garages, des maisons, ou des fils électriques).
3. Choisissez un emplacement de niveau pour l'équipement afin de réduire la probabilité de basculement de l'ensemble de jeu et pour que les matériaux meubles de surface ne soient pas emportés par les fortes pluies.
4. Hauteur de chute : 736 mm. N'installez pas le produit ou de matériau de surface sur du béton, de l'asphalte, de la terre compactée, de la pelouse, de la moquette ou sur toute autre surface dure. L'équipement d'aire de jeu pour un usage domestique **NE DOIT PAS ÊTRE UTILISÉ** à l'intérieur sans installer une protection contre les chutes. Une chute sur une surface dure peut provoquer une blessure grave. Les directives sur les matériaux de surface des aires de jeu pour une protection acceptable contre les chutes sont incluses dans cette fiche d'instructions (tableau X3.1).

5. Placez les plates-formes et les glissières en métal nu (en métal, en plastique ou autre) à l'abri de la lumière directe du soleil pour réduire le risque de brûlures graves. Un toboggan qui fait face au nord recevra le moins de lumière directe du soleil.
6. Pour maintenir le niveau approprié de matériau meuble de remplissage, utilisez un confinement, comme un creusement autour du périmètre et/ou le placement d'une bordure sur le périmètre paysager. La pose de carreaux en caoutchouc ou de surfaces coulées sur place (autres que les matériaux meubles) nécessite généralement un professionnel et ne sont pas des projets de bricolage.
7. Séparez les activités actives et calmes les unes des autres (par exemple : placez les bacs à sable loin des balançoires ou utilisez une glissière de sécurité pour séparer le bac à sable du mouvement des balançoires).
8. Assurez-vous que toutes les connexions sont serrées. **NE LAISSEZ PAS** les enfants jouer sur le produit tant que ce dernier n'est pas complètement installé.
9. **NE PAS** retirer les vis une fois l'unité assemblée. Pour désassembler l'unité, retirez uniquement les pièces qui ne sont pas fixées avec des vis.
10. **NE PAS** trop serrer les vis, sinon celles-ci ne sont pas en mesure de maintenir les pièces ensemble de manière adéquate.
11. Veuillez prendre note que les vis sont conçues pour percer le plastique et former leur propre filetage.
12. Il est recommandé de laisser une hauteur minimale de 45,72 cm entre le dessous de la balançoire et le sol.

INSTRUCTIONS D'UTILISATION :

1. Assurez une supervision par un adulte en tout temps.
2. Limite : 2 enfant. Poids maximum d'utilisateur de 22,6 kg (50 lb).
3. Les enfants doivent être vêtus de manière appropriée, y compris le port de chaussures bien ajustées qui protègent parfaitement les pieds.
4. **DITES AUX ENFANTS :**
 - de toujours s'asseoir en appuyant tout le poids du corps sur le milieu du siège des balançoires.
 - de ne pas faire balancer les sièges vides.
 - avant de jouer sur l'équipement, enlevez les articles qui créent des dangers s'ils s'em mêlent et se prennent. Parmi les exemples figurent les ponchos, les foulards et autres vêtements exemples, les casques de vélo ou autres de sport.
 - de ne pas marcher à proximité, devant, derrière ou entre les éléments mobiles.
 - de ne pas tordre les chaînes ou les cordes des balançoires, de ne pas les enrouler sur la barre porteuse du haut pour ne pas nuire à leur solidité.
 - de ne pas descendre de l'équipement tant qu'il bouge.
 - de ne pas attacher à l'équipement de terrain de jeux des objets qui ne sont pas conçus spécifiquement pour une utilisation avec celui-ci, par exemple : d'éviter les cordes à sauter, les cordes à linge, les chaînes, les câbles ou les chaînes, car de tels objets posent un risque d'étranglement.
5. **NE LAISSEZ JAMAIS LES ENFANTS :**
 - utiliser l'équipement de manière autre que celle prévue.
 - monter sur l'équipement quand il est recouvert de neige ou qu'il est mouillé.
 - utiliser ce produit lorsque les températures chutent en dessous de 0 °C (32 °F). Les produits en plastique peuvent se casser et se fissurer.

INSTRUCTIONS D'ENTRETIEN :

1. Vérifiez régulièrement l'état du produit afin de détecter tout composant abîmé ou desserré. Vérifiez les éléments suivants au moins deux fois par mois pendant la période d'utilisation saisonnière et au début de chaque saison :
 - toutes les connexions et les boulons sont serrés, serrez au besoin.
 - toutes les pièces mobiles métalliques.
 - l'état de l'équipement. Recherchez des signes d'usure tels que des composants cassés ou manquants. Réparez selon le besoin.
 - tous les sièges de balançoire, les cordes, les câbles et les chaînes ne présentent pas de signes de détérioration. Remplacez toute corde cassante, effilochée ou substantiellement décolorée.
2. Amenez à l'intérieur ou n'utilisez pas le produit lorsque la température descend en dessous de 0 °C (32 °F).
3. Pour un nettoyage général, Utilisez un mélange 50/50 de vinaigre blanc et d'eau.
4. Ratissez régulièrement la surface pour éviter le compactage et conserver une profondeur appropriée.
5. Les propriétaires doivent veiller à ce que les étiquettes d'avertissement soient lisibles, et ils seront responsables si des enfants enlèvent l'étiquette.

INSTRUCTIONS DE MISE AU REBUT :

Démontez afin d'éliminer tout danger déraisonnable. Veuillez recycler dans la mesure du possible. L'élimination doit être effectuée conformément à toutes les lois nationales.

INSPECTEZ CE PRODUIT AVANT CHAQUE UTILISATION. SERREZ BIEN LES CONNEXIONS ET REMPLACEZ LES COMPOSANTS USÉS OU ENDOMMAGÉS. CONTACTEZ LA SOCIÉTÉ STEP2 POUR DES PIÈCES DE RECHANGE.

Fiche d'information du consommateur sur les matériaux de surface des terrains de jeux

Profondeur minimum des matériaux meubles de surface tassés

pouces	de (matériaux meubles) protègent une	chute de (pieds)
9	Shredded/ recycled rubber	10
9	Sand	4
9	Pea Gravel	5
9	Wood mulch (non-CCA)	7
9	Wood chips	10

Tableau X3.1

Ces informations sont extraites des publications CPSC, « Surfage des terrains de jeux-Guide technique ». Pour vous procurer des exemplaires de ces publications, envoyez une carte postale à : Office of Public Affairs, U.S. Consumer Product Safety Commission, Washington, D.C., 20207 ou appelez la ligne directe sans frais : 1-800-638-2772.

- X3.1 La « Consumer Product Safety Commission » des États-Unis (CPSC) estime qu'environ 100 000 blessures provoquées par des chutes lors de l'utilisation de jeux de plein air sont traitées dans les services d'urgence des hôpitaux américains. Les chutes sont la cause des blessures les plus graves sur les terrains de jeux. Lorsqu'elles sont à la tête, ces blessures peuvent s'avérer mortelles. Le type de surface supportant et entourant les équipements de jeux contribue considérablement aux types de blessures provoquées par une chute. Il est évident qu'une surface amortissant les chocs diminue les risques de blessures graves par chute comparativement à une surface dure.

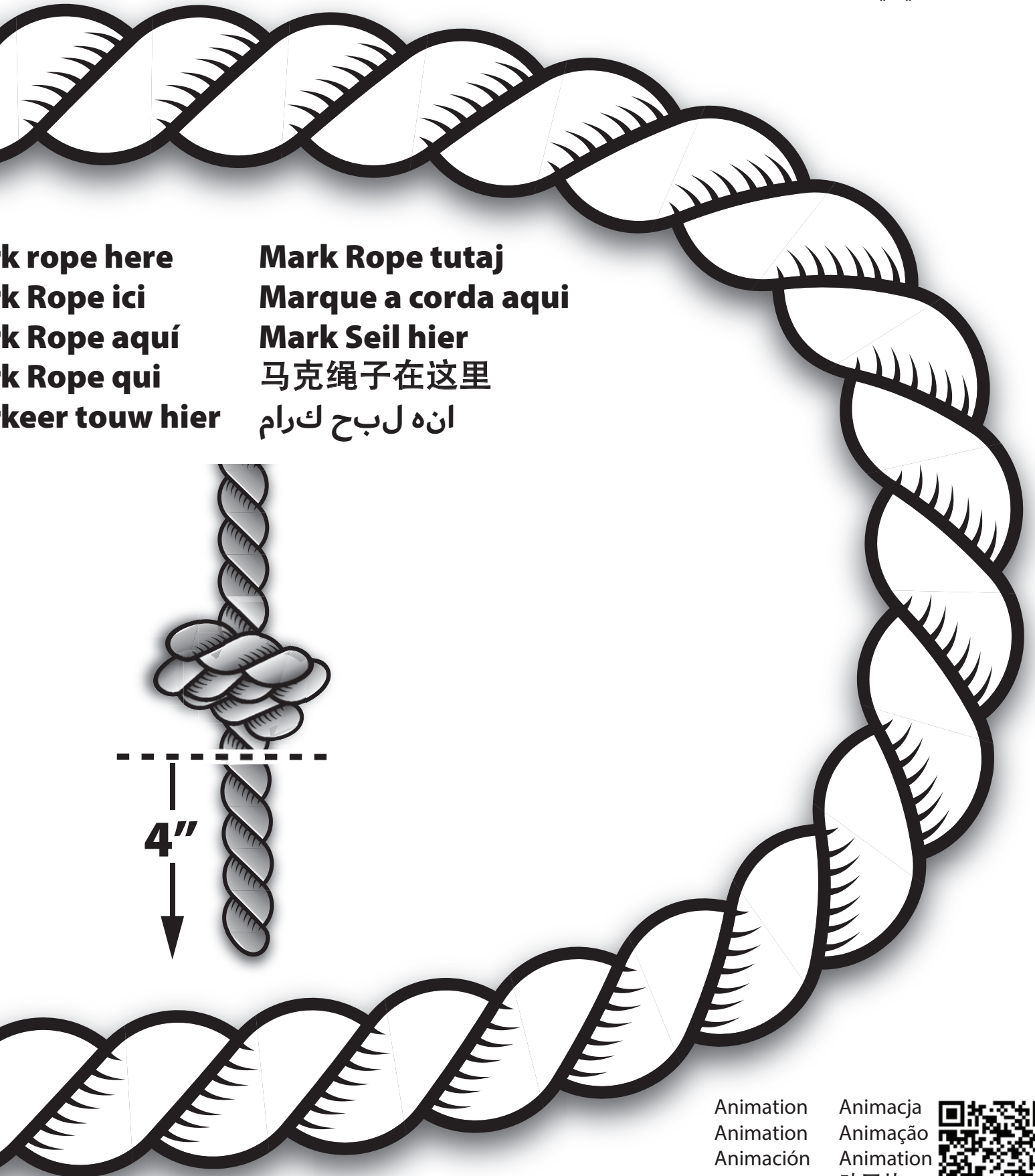
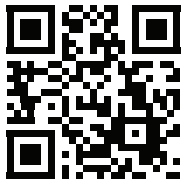
L'équipement des terrains de jeux ne doit jamais être installé sur des surfaces dures en ciment ou en asphalte par exemple. Bien que la pelouse semble être une surface acceptable, elle peut rapidement se tasser sous les passages fréquents. Les copeaux de bois ou d'écorce, le sable doux et le gravier rond sont des exemples de surfaces qui amortissent les chocs lorsqu'ils sont installés et entretenus sur une épaisseur suffisante sous et autour de l'équipement du terrain de jeux.

- X3.2 Le tableau X3.1 indique la hauteur maximale de chute, sur cinq surfaces différentes servant à recouvrir des terrains de jeux, et ne devant pas provoquer de blessures mortelles si ces surfaces sont installées et entretenues sur une épaisseur de 23 cm (9 po). Cependant, quelle que soit la surface, il est impossible de prévenir toutes les blessures provoquées par des chutes.
- X3.3 Il est recommandé que la surface de protection recouvre le terrain de jeux sur un périmètre d'au moins 2 m (6,5 pieds) autour du matériel fixe, portique d'escalade, glissade, etc. Cependant, par mesure de précaution, les enfants pouvant de manière délibérée sauter d'une balançoire en mouvement, la surface de protection doit recouvrir le terrain situé devant et derrière la balançoire sur une longueur égale à au moins 2 fois la hauteur entre le sol et le point pivot de la structure de soutien.
- X3.4 Ces informations sont destinées à faciliter la comparaison des propriétés d'absorption relative des chocs de divers matériaux. Aucun matériau particulier n'est recommandé par rapport à un autre. Cependant, chaque matériau n'est efficace que s'il est correctement entretenu. Les matériaux doivent être régulièrement vérifiés et complétés afin de maintenir la profondeur suffisante déterminée nécessaire pour votre équipement. Le choix d'un matériau dépend du type et la hauteur de l'aire de jeux, de la disponibilité des matériaux dans la région et de son coût.

VEUILLEZ CONSERVER CETTE FICHE POUR RÉFÉRENCE ULTÉRIEURE.

6"

Video Wideo
Vidéo Vidéo
Video Video
video 视频
Video ويديف



Mark rope here
Mark Rope ici
Mark Rope aquí
Mark Rope qui
Mark touw hier

Mark Rope tutaj
Marque a corda aqui
Mark Seil hier
马克绳子在这里
انه لبح كرام

Animation Animacja
Animation Animação
Animación Animation
Animazione 动画片
Animatie موسرلا



1



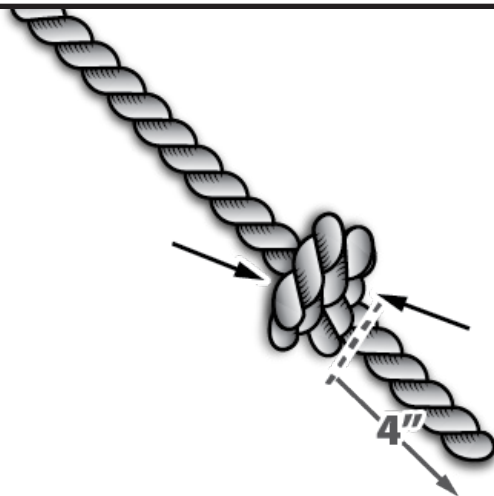
2



3



4



NEEM DE VOLGENDE VERKLARINGEN EN WAARSCHUWINGEN IN ACHT OM WAARSCHIJNLIJK ERNSTIG OF FATAAL LETSEL TE BEPERKEN.

BEWAAR DIT BLAD VOOR TOEKOMSTIGE REFERENTIE.

WAARSCHUWING:

VERSTIKKINGSGEVAAR:

Kleine onderdelen. Montage door volwassene vereist.

WAARSCHUWING:

Uitsluitend voor familiegebruik buitenshuis door kinderen van 3 - 7 jaar oud. Maximumgewicht voor gebruikers: 22,6 kg (50 lb) per kind.

WAARSCHUWING:

VERSTIKKINGSGEVAAR

Kan leiden tot ernstig letsel of dood.

- **NIET** springtouw, waslijnen, leiband en andere loshangende dingen bevestigen die niet specifiek ontworpen zijn voor gebruik met deze uitrusting.
- **NIET** kinderen toestaan sjaals, wanten met koorden door de mouwen of kleding zoals capes, poncho's of met een trekkoordje bij de hals te dragen.
- **NIET** kinderen toestaan helmen te dragen terwijl ze op de uitrusting spelen.
- **NIET** kinderen toestaan om iets om hun nek te dragen zoals kettingen, veldflessen, tas en en verrekijkers.

WAARSCHUWING:

VERBRENNINGSGEFAHR

- Bevor Sie Ihre Kinder damit spielen lassen, stets die Temperatur des Produktes prüfen.
- Bei direkter Sonneneinstrahlung kann das Produkt Verbrennungen verursachen.
- Achten Sie stets auf die Sonneneinstrahlung und die Wetterbedingungen und gehen Sie nicht davon aus, dass die Benutzung des Produkts aufgrund einer niedrigen Lufttemperatur unbedenklich ist.

WAARSCHUWING:

GEbruik ALTijd DE KINDERBEVEILIGING

- Volg bij de montage en vóór de installatie van dit product altijd nauwgezet de instructies.
- Laat dit product pas door uw kind gebruiken nadat het correct is geïnstalleerd door een volwassene.
- Instrueer uw kind dat het moet blijven neerzitten in dit product.
- Toezicht van een volwassene is te allen tijde vereist.

WAARSCHUWING:

ERNSTIG HOOFDETEL OF OVERLIJDEN KAN OPTREDEN.

Vallen op een hard oppervlak kan ernstig letsel of overlijden tot gevolg hebben. Installeer de speeltuinuitrusting niet op harde oppervlakken zoals beton, asfalt, vastgestampte aarde, gras, tapijt of een ander hard oppervlak. Toezicht van een volwassene vereist.

VEILIGHEIDSGEGEVINGEN:

1. Creëer een obstakelvrije plaats om letsel te verminderen. Houd een minimale afstand van 2 m (6,5 feet) aan van structuren of obstakels (bijvoorbeeld: een hek, gebouwen, laaghangende takken, boomstammen/wortels, grote stenen, bakstenen, beton, garages, huizen, of elektrische draden).
2. Kies een vlakke plaats voor de uitrusting om de mogelijkheid te verminderen dat het speeltoestel omvalt en los vulmateriaal van de ondergrond wegspoelt tijdens zware regen.
3. Valhoogte: 736,6 mm. Installeer het product of dek materiaal niet op beton, asfalt, vastgestampte aarde, gras, tapijt of een ander hard oppervlak. Speeltuinuitrusting voor thuis **MAG NIET GEbruikt WORDEN** binnenshuis zonder geïnstalleerde valbe-scherming. Vallen op een hard oppervlak kan ernstig letsel tot gevolg hebben. Richtlijnen voor speeluinafdekmaterialen voor aanvaardbare valbescherming zijn inbegrepen in dit instructieblad (zie tabel X3.1). Om het geschikte niveau van los vulmateriaal te handhaven, inperking gebruiken, zoals een greppel graven langs de omtrek en/of deze met kantomsluiting.
4. Voor installatie van rubber tegels of ter plekke gegoten oppervlakken (behalve losse vulmaterialen) is een expert nodig en dit zijn geen 'doe het-zelf' projecten.

5. Plaats kale metalen platformen en glijbanen (metaal, plastic of anderszins) niet in direct zonlicht om de kans op ernstige brandwonden te verminderen. Een glijbaan die naar het noorden is gericht, ontvangt het minste direct zonlicht.
6. org voor genoeg ruimte zodat kinderen de uitrusting veilig kunnen gebruiken (bijvoorbeeld: voor structuren met meerdere activiteiten mag een glijbaan niet over een schommel eindigen).
7. Houd actieve en rustige activiteiten van elkaar gescheiden (bijvoorbeeld: plaats zandbakken uit de buurt van schommels of gebruik een beveiligingsbarrière om de zandbak bij de beweging van de schommels vandaan te houden).
8. Controleer dat alle verbindingen goed vastzitten. Laat kinderen **NIET** spelen op het product totdat het volledig in elkaar is gezet.
9. Verwijder **GEEN** schroeven nadat deze eenmaal zijn geïnstalleerd. Verwijder bij de demontage alleen onderdelen die niet zijn vastgezet met schroeven.
10. Draai de schroeven **NIET** te vast aan, anders houden ze de onderdelen niet goed bij elkaar.
11. Houd er rekening mee dat schroeven zodanig zijn ontworpen dat ze door het.
12. De aanbevolen minimumafstand bedraagt 45,27, gemeten van de onderkant van de schommel tot aan de grond.

BEDIENINGSINSTRUCTIES:

1. Zorg te allen tijde voor toezicht van een volwassene.
2. Limiet: 2 kind. Maximum gebruikersgewicht van 22,6 kg (50 lbs) tegelijkertijd.
3. Kleed kinderen op gepast wijze aan, waaronder goed passende schoenen die de voeten volledig beschermen.
4. **INSTRUEER KINDEREN:**
 - op het midden van de schommels te zitten met hun volle gewicht op de zittingen.
 - zwaaiende lege schommels te vermijden.
 - alvorens op het toestel te spelen, artikelen te verwijderen die gevaaren vormen wanneer ze verstrikt raken en gevangen worden. Voorbeelden zijn onder meer: poncho's, sjaals en andere losse kleding, fiets- en andere sporthelmen.
 - niet te lopen dichtbij, vóór, achter of tussen bewegende zaken.
 - schommelkettingen of -touw niet in elkaar te draaien of ze over de bovenste steunbalk te gooien daar dit de sterkte van de ketting of het touw kan verminderen.
 - niet van de uitrusting af te komen terwijl die in beweging is.
 - geen artikelen aan de speeltuinuitrusting te bevestigen die niet specifiek zijn ontworpen voor gebruik met de uitrusting, bijvoorbeeld: springtouw, waslijnen, leiband, kabels en kettingen, daar die een verstikkingsgevaar kunnen veroorzaken.
5. **LAAT KINDEREN NOOIT:**
 - de uitrusting gebruiken op een andere wijze dan beoogd.
 - op de uitrusting klimmen wanneer deze bedekt is met sneeuw of nat is.
 - dit product gebruiken bij temperaturen onder 0. Plastic materiaal kan bros worden en scheuren.

ONDERHOUDSINSTRUCTIES:

1. Inspecteer het product periodiek op losse of beschadigde componenten. Controleer het volgende ten minste tweemaal per maand tijdens het gebruikseizoen en aan het begin van elk seizoen:
 - of alle verbindingen en bouten vastzitten. Draai ze zo nodig vast.
 - alle metalen bewegende delen.
 - de conditie van de uitrusting. Kijk naar tekenen van slijtage en beschadiging zoals gebroken of ontbrekende componenten, verbogen pijpen of buizen en splinterende houten oppervlakken. Repareer zo nodig.
 - alle schommelzittingen, touwen, kabels en kettingen op tekenen van achteruitgang. Vervang touwen die bros, rafelig of aanzienlijk verkleurd zijn geworden.
2. Breng naar binnen en gebruik niet wanneer de temperatuur onder 0 °C (32 °F) is.
3. Hark de oppervlakbedekking periodiek om samendrukking te voorkomen en de geschikte diepten te handhaven.
4. Gebruik een 50/50 mengsel van witte azijn en water.
5. Het is de verantwoordelijkheid van de eigenaars dat de waarschuwingslabels leesbaar blijven en niet door kinderen van het product worden verwijderd.

AFVOERINSTRUCTIES:

Demonteer zodat er geen onredelijke gevaren bestaan. Recyclen wanneer mogelijk. Afvoeren moet gebeuren in overeenstemming met alle overheidsvoorschriften.

DIT PRODUCT VÓÓR ELK GEbruik INSPECTEREN. DRAAI VERBINDINGEN GOED VAST EN VERVANG BESCHADIGDE OF VERSLETEN COMPONENTEN. NEEM CONTACT MET DE STEP2 COMPANY VOOR VERVANGINGSONDERDELEN.

Informatieblad voor de consument voor materialen onder de speeltuinuitrusting

Minimale ingedrukte los gestorte oppervlakdiepten

Inch	(los gestort materiaal) beschermt tot	valhoogte (feet)
9	Gesnipperd/gerecycled rubber	10
9	Zand	4
9	Grind	5
9	Houtstrooisel (niet-CCA)	7
9	Houtsnippers	10

Tabel X3.1

Deze informatie is gehaald uit de CPSC-publicatie 'Playground Surfacing - Technical Information Guide' (deklaag voor speeltuinen - technische informatiegids). Exemplaren van deze publicatie kunnen worden verkregen door een briefkaart te sturen naar de: Office of Public Affairs, U.S. Consumer Product Safety Commission, Washington, DC 20207 of de gratis (in Noord-Amerika) hotline op nr. 1-800-638-2772 te bellen.

- X3.1 De U.S. Consumer Product Safety Commission schat dat per jaar ongeveer 100.000 met speeltuinuitrusting verband houdend letsels door vallen op de deklaag eronder worden behandeld op de afdeling spoedeisende hulp van Amerikaanse ziekenhuizen. Verwondingen die dit gevaarenpatroon betreffen zijn de ernstigste van alle speeltuinverwondingen en kunnen mogelijk fataal zijn, in het bijzonder wanneer het letsel aan het hoofd is. De grond onder en rond de speeltuinuitrusting kan een belangrijke factor zijn bij het bepalen van het letsel veroorzakende potentieel van een val. Het is vanzelfsprekend dat een val op een schokabsorberend oppervlak minder waarschijnlijk ernstig letsel zal veroorzaken dan een val op een hard oppervlak.

Speeltuinuitrusting mag nooit op harde oppervlakken worden gezet zoals op beton of asfalt en hoewel gras aanvaardbaar kan lijken, kan dit snel veranderen in harde, samengepakte aarde op plaatsen waar veel loopverkeer is. Gesnipperde schors, houtsnippers, fijn zand of fijn grind worden als aanvaardbare schokabsorberende oppervlakken beschouwd wanneer ze op voldoende diepte onder en rond de speeltuinuitrusting worden geïnstalleerd en onderhouden.

- X3.2 Tabel X3.1 vermeldt de maximale hoogte waarbij niet verzacht wordt dat een kind levensbedreigend hoofdletsel zou oplopen bij een val op vijf verschillende los gestorte deklaagmaterialen als die geïnstalleerd en onderhouden worden op een diepte van 22,5 cm (9 inch). Er dient echter gerealiseerd te worden dat alle letsel door vallen niet voorkomen kan worden, ongeacht het deklaagmateriaal dat gebruikt is.
- X3.3 Er wordt aanbevolen dat schokabsorberend materiaal minimaal 2 m (6,5 ft) in alle richtingen voorbij de omtrek van stilstaande uitrustingen zoals klimrekken en glijbanen dient uit te strekken. Omdat kinderen echter met opzet van een bewegende schommel kunnen springen, dient het schokabsorberende materiaal vóór en achter de schommel minimaal een afstand van 2 keer de hoogte van het draaipunt gemeten vanaf een punt rechtstreeks onder het draaipunt op de steunstructuur te bedragen.
- X3.4 Deze informatie is bedoeld om te helpen bij het vergelijken van de relatieve schokabsorberende eigenschappen van verschillende materialen. Er wordt geen bepaald materiaal aanbevolen boven andere materialen. Elk materiaal is echter alleen effectief wanneer het behoorlijk onderhouden wordt. Materialen dienen periodiek te worden gecontroleerd en bijgevuld om de juiste diepte aan te houden zoals voor uw uitrusting is vastgesteld. De keuze van een materiaal hangt af van het type en de hoogte van de speeltuinuitrusting, de beschikbaarheid van het materiaal in uw omgeving en de kosten ervan.

BEWAAR DIT BLAD VOOR NASLAG IN DE TOEKOMST

NEEM DE VOLGENDE VERKLARINGEN EN WAARSCHUWINGEN IN ACHT OM MOGELIJK ERNSTIG OF FATAAL LETSEL TE VERMINDEREN.

BEWAAR DIT BLAD VOOR TOEKOMSTIGE REFERENTIE.

⚠ AVISO:

Apenas para utilização familiar doméstica em espaços exteriores por crianças com idades compreendidas entre os 3 - 7 anos. Peso máximo do utilizador: 22,6 kg por criança.

⚠ AVISO:

PERIGO DE SUFOCAMENTO

Peças pequenas. Necessária a montagem por adultos.

⚠ AVISO:

PERIGO DE ESTRANGULAMENTO

Podem ocorrer ferimentos graves ou a morte.

- **NÃO** ate cordas de saltar, cordas da roupa, trelas de animais de estimação ou outros objectos suspensos não concebidos especificamente para a utilização com este equipamento.
- **NÃO** permita que as crianças usem lenços, luvas com atilhos pelo interior das mangas, ou peças de vestuário como capas, ponchos ou atilhos atados ao pescoço.
- **NÃO** permita que as crianças usem capacetes enquanto estiverem a brincar no equipamento.
- **NÃO** permita que as crianças usem artigos à volta do pescoço, tais como colares, cantis, bolsas e binóculos.

⚠ AVISO:

RISCO DE QUEIMADURA

- Verifique sempre a temperatura do produto antes de deixar o seu filho brincar com o mesmo.
- Lembre-se de que o produto podem causar queimaduras se deixado em luz solar direta.
- Esteja sempre ciente das condições climáticas e do sol e não assuma que o equipamento é seguro porque a temperatura do ar não está muito elevada.

⚠ AVISO:

UTILIZE SEMPRE UM SISTEMA DE RESTRIÇÃO DE CRIANÇAS

- Siga atentamente estas instruções durante a montagem e antes de instalar este produto.
- Não permita que o seu filho utilize este produto sem que tenha sido corretamente instalado por um adulto.
- Instrua a criança para permanecer na posição sentada quando utilizar este produto.
- É necessária a supervisão por parte de um adulto em todas as utilizações.

⚠ AVISO:

PODEM OCORRER FERIMENTOS SÉRIOS OU A MORTE.

As quedas em superfícies rígidas podem resultar em ferimentos graves ou na morte. Não instale equipamento de recreio sobre superfícies duras, tais como asfalto de betão, terra compacta, relva, carpete ou qualquer outra superfície dura. Necessária a supervisão de um adulto.

INFORMAÇÕES DE SEGURANÇA:

1. Nunca adicione comprimento extra à corrente ou corda. As correntes ou cabos fornecidos são do comprimento máximo projetado para o (s) elemento (s) oscilante (s).
2. Crie um local livre de obstáculo para reduzir a possibilidade de ferimentos. Mantenha uma distância mínima de 2 m de estruturas ou obstruções (exemplos: cercas, edifícios, árvores com ramos baixos, troncos/raízes de árvores, rochas de grandes dimensões, tijolos, betão, garagens, casas, ou cabos eléctricos).
3. Escolha uma localização nivelada para o equipamento de modo a reduzir a probabilidade do equipamento tombar e perder os materiais da superfície de enchimento soltos devido a chuvas intensas.
4. Altura de queda 736,6 mm. Não instale o produto ou o material sobre superfícies duras, tais como cimento, asfalto, terra batida, relva, carpete ou qualquer outra superfície dura. O equipamento de recreio para utilização doméstica NÃO DEVE SER UTILIZADO em zonas interiores sem a proteção de quedas instalada. Uma queda numa superfície dura pode resultar em ferimentos graves. São incluídas nesta neste folheto de instruções as directrizes de materiais de superfície para equipamentos de recreio

relativamente a proteções contra queda aceitáveis (ver o quadro X3.1). Para manter o nível adequado do material de enchimento solto, utilize métodos de contenção, como escavar em torno do perímetro e/ou revestir com cercas. As instalações de placas de borracha ou superfícies de colocação (para além dos materiais de enchimento soltos) requerem um projeto profissional e não tarefas do tipo "faça você mesmo".

5. Localize plataformas e correções de metal descoberto (metal, plástico ou outro) fora da luz direta do sol para reduzir a probabilidade de queimaduras graves. Um slide voltado para o norte receberá menos luz solar direta.
6. Projeto espaço suficiente para que as crianças possam utilizar o equipamento em segurança (exemplo: para estruturas com várias atividades, a saída de um escorrega não deve estar em frente de um baloço).
7. Separe as atividades ativas das mais tranquilas (exemplos: coloque as caixas de areia afastadas dos baloços ou utilize um resguardo para separar a caixa de areia do movimento dos baloços).
8. Verifique se todas as ligações estão apertadas. NÃO permita que as crianças brinquem no produto sem que esteja totalmente montado.
9. **NÃO** remova nenhum parafuso depois de montado. Para desmontar, remova apenas as partes que não estão presas com parafusos.
10. **NÃO** aperte demasiado os parafusos, caso contrário estes não conseguirão manter as peças unidas.
11. Tenha em conta de que os parafusos foram concebidos para perfurar o plástico e formar as suas próprias roscas.
12. A distância mínima recomendada entre o lado inferior do baloço e o chão é de 45,72 cm.

INSTRUÇÕES DE FUNCIONAMENTO:

1. É necessária uma vigilância permanente por parte de adultos.
2. Limite: 2 criança. Peso máximo do utilizador de 22 kg (50 lbs) de cada vez.
3. Vista as crianças adequadamente, incluindo calçado adequado que proteja integralmente os pés.
4. **ENSINE AS CRIANÇAS:**
 - a sentarem-se no centro dos baloços com todo o peso nos assentos,
 - a evitarem empurrar baloços vazios,
 - a remover artigos, antes de brincar no equipamento, que criem perigos quando entrelaçados ou presos. Os exemplos incluem: ponchos, lenços e outras peças de vestuário soltas, capacetes de ciclismo e para outras modalidades.
 - a não caminhar perto, em frente, por trás ou entre objetos móveis,
 - a não torcer as correntes do baloço ou passá-las sobre a barra de apoio pois reduzem a força da corrente ou corda,
 - a não sair do equipamento enquanto estiver em movimento,
 - a não colocar objetos no equipamento de recreio que não tenham sido concebidos especificamente para utilização com o mesmo como por exemplo: cordas de saltar, estendais, trelas de animais, cabos e correntes pois podem provocar um perigo de estrangulamento.
5. **NUNCA PERMITA QUE AS CRIANÇAS:**
 - utilizem o equipamento de uma forma diferente da prevista,
 - trepem para o equipamento quando estiver coberto de neve ou molhado.
 - utilizem este produto quando as temperaturas caírem abaixo dos 0°C. Os materiais em plástico podem danificar-se e rachar.

INSTRUÇÕES DE MANUTENÇÃO:

1. Inspeccione periodicamente o produto quanto a componentes soltos ou danificados. Verifique os seguintes itens, no mínimo, duas vezes por mês durante a época de utilização e no início de cada estação:
 - todas as ligações e apertos dos parafusos e aperte conforme seja necessário.
 - todas as peças metálicas móveis.
 - a condição do equipamento. Procure sinais de desgaste e danos, tais como componentes partidos ou em falta. Repare conforme necessário.
 - todos os assentos dos baloços, cordas, cabos e correntes quanto a sinais de deterioração. Substitua as cordas se estiverem esfarrapadas, desfiadas ou significativa mente gastas.
2. Coloque num espaço interior ou não utilize quando a temperatura cair abaixo dos 0°C.
3. Agite o material de superfície periodicamente para evitar a compactação e manter as profundidades adequadas.
4. Use uma mistura 50/50 de vinagre branco e água.
5. Os proprietários são responsáveis pela manutenção da legibilidade das etiquetas de aviso e pela remoção das etiquetas do produto por parte das crianças.

INSTRUÇÕES DE ELIMINAÇÃO:

Desmonte de modo a que não existam quaisquer perigos desnecessários. Recicle sempre que possível. A eliminação deve ser realizada em conformidade com todos os regulamentos governamentais.

INSPECCIONE ESTE PRODUTO ANTES DE CADA UTILIZAÇÃO. APERTE BEM AS LIGAÇÕES E SUBSTITUA OS COMPONENTES DANIFICADOS OU DESGASTADOS. CONTACTE A STEP2 COMPANY PARA OBTEN PEÇAS DE SUBSTITUIÇÃO.

Informações para clientes na temat podłóży ochronnych na placach zabaw

Minimalne głębokości skompresowanych powierzchni sypekich

Cale	(Materiał sypek) zapewniający ochronę	upadku z wysokości (stopy)
9	Rozdrobniona/przetworzona guma	10
9	Piasek	4
9	Żwir	5
9	Mulcz z trocin (bez CCA)	7
9	Zrębki drzewne	10

Tabela X3.1

Niniejsze informacje pochodzą z publikacji CPSC „Playground Surfacing – Technical Information Guide” („Powierzchnia placu zabaw – Informacja techniczna”). Kopię publikacji można uzyskać, wysyłając kartkę pocztową na adres: Office of Public Affairs, U.S. Consumer Product Safety Commission, Washington, D.C., 20207, USA lub dzwoniąc na bezpłatną infolinię: 1-800-638-2772.

- X3.1 Amerykańska Komisja do Spraw Bezpieczeństwa Produktów Konsumenckich (CPSC) szacuje, że rocznie w przyszpitalnych oddziałach pomocy w nagłych wypadkach opatrzy się ok. 100 000 urazów przy upadkach, których przyczyną było wyposażenie placów zabaw. Urazy tego rodzaju zaliczane są do najpoważniejszych wypadków, jakie zdarzają się na placach zabaw i mogą mieć nawet skutek śmiertelny – szczególnie, gdy dochodzi do urazu głowy. Powierzchnia pod oraz wokół sprzętu do zabawy może stanowić główny czynnik w określeniu stopnia zagrożenia przy upadku. To oczywiście, że upadek na powierzchnię amortyzującą jest bezpieczniejszy niż upadek na twardą powierzchnię.

Wyposażenie placów zabaw nigdy nie powinno być ustawiane na twardych powierzchniach, takich jak beton czy asfalt, a choć trawa może być dobrym rozwiązaniem, w miejscach dużego ruchu zwykle szybko zamienia się w grudy ziemi. Drobne kawałki kory, trociny, drobnziarnisty piasek lub żwirek są uważane za odpowiedni materiał amortyzujący, jeśli zostaną wysypane i utrzymane na odpowiedniej głębokości pod oraz wokół sprzętu na placu zabaw.

- X3.2 Tabela X3.1 zawiera informacje, z jakiej maksymalnej wysokości dziecko może upaść, nie doświadczając zagrażającego życiu urazu głowy, dla pięć rodzajów sypekich materiałów powierzchniowych, jeśli są one wysypane i utrzymane na głębokości 229 mm. Należy przy tym jednak wziąć pod uwagę, że nie wszystkim urazom można zapobiec, niezależnie od tego, jakiego materiału się użyje do utworzenia powierzchni.
- X3.3 Zaleca się, żeby materiał amortyzujący znajdował się na przestrzeni przynajmniej 1,8 m we wszystkich kierunkach od stacjonarnego sprzętu, takiego jak sprzęt do wspinania czy zjeżdżalnie. Dzieci często celowo zeskakują z rozhuśtanego siedziska, więc materiał amortyzujący należy dać zarówno z przodu, jak i z tyłu huśtawki na minimalną odległość dwukrotnej wysokości punktu obrotu mierzonego od punktu znajdującego się bezpośrednio pod osi na konstrukcji wspornej.
- X3.4 Niniejsze informacje mają na celu porównanie względnych właściwości amortyzujących poszczególnych materiałów. Żaden materiał nie jest zaledy bardziej niż inne. Jednakże każdy jest tylko wtedy skuteczny, gdy jest odpowiednio utrzymany. Materiały te powinny być okresowo sprawdzane i uzupełniane, aby utrzymać odpowiednią głębokość, taką jak wymagana dla danego sprzętu. Wybór materiału zależy od rodzaju i wysokości sprzętu zainstalowanego na placu zabaw, a także od dostępności materiału w danym miejscu i jego kosztu.

ZACHOWAĆ TĘ INSTRUKCJĘ DO PÓŹNIEJSZEGO WYKORZYSTANIA.

**PRZESTRZEGANIE PONIŻSZYCH ZALECEŃ I OSTRZEŻEŃ
ZMNIJSZY PRAWDOPODOBIEŃSTWO ODNIESIENIA
POWAŻNYCH LUB ŚMIERTELNYCH OBRAŹEN CIAŁA.**

**ZACHOWAĆ TĘ INSTRUKCJĘ DO PÓŹNIEJSZEGO
WYKORZYSTANIA.**

⚠ OSTRZEŻENIE!

RYZIKO ZADŁAWIENIA

małe części. Montaż powinna wykonać osoba dorosła.

⚠ OSTRZEŻENIE!

Ograniczony do Zastosowanie na zewnątrz przez podwórko dzieci w wieku od 9 miesięcy do 36 miesięcy. Maksymalny waga użytkownika 22,6 kg (50 funtów) za dziecko. Nie może być stosowany przez dzieci powyżej 36 months- stabilności hażada.

⚠ OSTRZEŻENIE!

RYZIKO UDUSZENIA

Zagrożenie poważnymi obrażeniami ciała lub śmiercią.

- **NIE WOLNO** przywiązywać skakanek, sznurów na bieliznę, smyczy ani innych swobodnie zwisających przedmiotów, które nie są specjalnie przeznaczone do użytku z tym urządzeniem;
- **NIE WOLNO** pozwalać dzieciom nosić szalików, rękawiczek na sznurku przeprowadzonym przez rękawy ani takiej odzieży, jak peleryny, poncha lub mającej sznurek przy szyi;
- **NIE WOLNO** pozwalać dzieciom nosić kasek w czasie zabawy na urządzeniu;
- **NIE WOLNO** pozwalać dzieciom nosić niczego na szyi, na przykład naszyjników, manierek, torebek i lometek.

⚠ OSTRZEŻENIE!

NIEBEZPIECZEŃSTWO POPARZENIA

- Zawsze należy sprawdzić temperaturę produktu przed zezwoleniem dzieciom na zabawę nim.
- Należy pamiętać, że produkt mogą powodować poparzenia jeśli pozostaje w bezpośrednim świetle słonecznym.
- Zawsze należy zwracać uwagę na słońce i warunki pogodowe. Nie można zakładać, że urządzenie jest bezpieczne, ponieważ temperatura powietrza nie jest bardzo wysoka.

⚠ OSTRZEŻENIE!

**ZAWSZE STOSOWAĆ URZĄDZENIE
PRZYTRZYMUJĄCE DZIECI**

- Ścisłe przestrzegać niniejszych instrukcji podczas składania i przed zamontowaniem tego produktu.
- Nie zezwalać dzieciom na korzystanie z produktu przed prawidłowym zamontowaniem go przez osobę dorosłą.
- Poinstruować dziecko, aby pozostawało w pozycji siedzącej podczas korzystania z produktu.
- Nadzór osoby dorosłej jest wymagany przez cały czas.

⚠ OSTRZEŻENIE!

**ZAGROŻENIE POWAŻNYMI OBRAŻENIAMI
GŁOWY LUB ŚMIERCIĄ.**

Upadek na twarde podłoże może spowodować poważne obrażenia ciała lub śmierć. Nie montować wyposażenia placów zabaw na twardych powierzchniach, takich jak beton, asfalt, ubita ziemia, trawa, dywan ani na innym twardym podłożu.

INFORMACJE DOTYCZĄCE BEZPIECZEŃSTWA:

1. Nigdy nie zwiększaj długości łańcucha lub liny. Dostarczone łańcuchy lub liny mają maksymalną długość przewidzianą dla elementów wahadlowych.
2. Przygotować miejsce wolne od przeszkód, aby zmniejszyć ryzyko obrażeń. Zachować minimalną odległość 2 m od budynków i przeszkód (takich jak ogrodzenia, budynki, nisko zwisające gałęzie, pnie/ korzenie drzew, duże kamienie, cegły, beton, sznury na bieliznę i napowietrzne linie energetyczne).
3. Wybrać dla urządzenia równe miejsce, aby zmniejszyć prawdopodobieństwo przewrócenia się zestawu oraz wycierać syckiego podłoża przez silne deszcz.
4. Wysokość upadku: ok. 736,6 mm. Nie montować produktu ani materiału podłoża na betonie, asfalcie, ubitej ziemi, trawie, dywanie ani innym twardym podłożu. Wyposażenia placów zabaw do użytku domowego NIE NALEŻY UŻYWAĆ w Pomieszczeniach bez zainstalowanego zabezpieczenia przed upadkiem. Upadek na twarde podłoże może spowodować

poważne obrażenia ciała. Niniejsza instrukcja zawiera wytyczne dotyczące materiałów na podłoża placów zabaw, dotyczące dopuszczalnych zabezpieczeń przed upadkiem (patrz tabela X3.1). Aby utrzymać odpowiedni poziom materiału syckiego, przygotowane podłoże należy ogrodzić, np. wykopując dookoła rowek i/lub układając w nim obrzeże ogrodowe. Montaż podłoży z mat gumowych lub wylewek (innych niż podłoża z materiałów syckich) zazwyczaj wymaga skorzystania z usług profesjonalistów i nie są to projekty dla majsterkowiczów.

5. Zapewnić dość miejsca, aby dzieci mogły bezpiecznie korzystać z urządzenia (na przykład, w przypadku konstrukcji wielofunkcyjnych, zjeżdżalnia nie powinna kończyć się przed huśtawką).
6. Oddzielić od siebie zabawy ruchowe i statyczne (na przykład, umieścić piaskownicę z dala od huśtawek lub użyć barierki, aby je oddzielić).
7. Upewnić się, że wszystkie połączenia są dokręcone. **NIE** pozwalać dzieciom na zabawę na produkcie przed zakończeniem jego montażu.
8. **NIE** wykręcać żadnych wkrętów po wkręceniu. Podczas demontażu usuwać tylko części niezabezpieczone wkrętami.
9. **NIE NALEŻY** zbyt mocno dokręcać śrub, ponieważ może to spowodować niewłaściwe połączenie elementów.
10. Należy pamiętać, że użyte wkręty przebijające plastik są samogwintujące.
11. Aby zmniejszyć zagrożenie stwarzane przez opiłki po wierceniu, wkręty zostały zaprojektowane tak, aby przesywały plastik i same tworzyły gwinty. Nie należy zbyt mocno dokręcać wkrętów, gdyż nie będą one łączyć części w prawidłowy sposób.
12. Minimalna zalecana odległość pomiędzy spodem huśtawki a ziemią wynosi od 40,64 do 60,96 cm.
13. Pasek służy wyłącznie do utrzymania dziecka w pozycji siedzącej. Należy zapiąć go na wysokości pasa.

INSTRUKCJA OBSŁUGI:

1. Należy zapewnić nadzór osoby dorosłej nad dzieckiem przez cały czas.
2. Limit: 2 dziecko. Maksymalna waga użytkownika 22 kg (50 lbs).
3. Dzieci muszą mieć odpowiednie ubranie, w tym buty we właściwym rozmiarze, które chronią nogi całkowicie.
4. **POINSTRUOWAĆ DZIECI, BY:**
 - siadały na środku huśtawek, opierając cały ciężar ciała na siedziakach;
 - nie huśtały pustych siedziaków; zed użyciem należy usunąć wszelkie objekty, które mogłyby się wplątać w urządzenie. Na przykład: peleryny, szalki i inne luźne ubrania, kaski do jazdy na rowerze czy innych sportów
 - nie podchodziły blisko z przodu, z tyłu lub między poruszającymi się elementami;
 - Nie skręcać łańcuchach lub linach lub owinać nad Superwspornik niż to, ponieważ opłaty mogą zmniejszyć odporność łańcucha lub liny,
 - nie schodziły z urządzenia, kiedy jest w ruchu;
 - nie mocowały rzeczy do wyposażenia placu zabaw, które nie są specjalnie przeznaczone do tych urządzeń, na przykład:
 - kakanek, sznurów na bieliznę, smyczy, linek i łańcuchów, ponieważ mogą one stworzyć ryzyko uduszenia.
5. **NIGDY NIE WOLNO POZWAŁAĆ DZIECIOM NA:**
 - używanie urządzeń w sposób niezgodny z przeznaczeniem;
 - wchodzenie na urządzenia pokryte śniegiem lub mokre;
 - używanie produktu przy temperaturze poniżej 0°C; materiały plastikowe stają się wtedy kruche i pękają.

INSTRUKCJE KONSERWACJI:

1. Produkt należy regularnie sprawdzać pod kątem oblawianych lub uszkodzonych komponentów. Następujące elementy należy sprawdzać co najmniej dwa razy w miesiącu w sezonie użytkowania oraz na początku każdego sezonu:
 - dokręcenie wszystkich połączeń i śrub; w razie potrzeby dokręcić;
 - wszystkie metalowe elementy ruchome.
 - szukać oznak zużycia, takich jak pęknięte lub brakujące elementy. W razie potrzeby naprawić;
 - wszystkie siedziaki, liny, linki i łańcuchy huśtawek pod kątem uszkodzeń; jeśli liny staną się kruche, wystrzępione lub wypłowiałe, należy je wymienić.
2. Zdjąć namiot; przechowywać w zamkniętych pomieszczeniach lub nie używać, kiedy temperatura spadnie poniżej 0°C.
3. Grabić regularnie podłoże, aby nie dopuścić do jego ubicia i utrzymać odpowiednią głębokość.
4. Użyć 50/50 mieszanki białego octu i wody.
5. Za utrzymanie czytelności nalek ostrzegawczych lub ich usunięcie przez dzieci odpowiadają właściciele.

INSTRUKCJA UTYLIZACJI:

Należy rozmontować, nie stwarzając niepotrzebnego zagrożenia. Jeśli to możliwe, zutylizować. Utylizacja musi odbywać się zgodnie z wszelkimi przepisami krajowymi.

**NALEŻY SPRAWDZAĆ PRODUKT PRZED KAŻDYM
UŻYCIEM. MOCNO DOKRĘCIĆ POŁĄCZENIA I WYMIENIĆ
USZKODZONE LUB ZUŻYTE CZĘŚCI. W CELU WYMIANY
CZĘŚCI NALEŻY SKONTAKTOWAĆ SIĘ Z FIRMĄ STEP2.**

**Ficha de informação para o
consumidor para materiais de
superfície para espaços de recreio**

**Profundidades mínimas de material de
superfície de enchimento solto comprimido**

Polegadas	Material de enchimento solto protege de uma	altura de (pés)
9	Borracha desfeita/reciclada	10
9	Areia	4
9	Brita fina	5
9	Aparas de madeira (não CCA)	7
9	Raspas de madeira	10

Tabela X3.1

Esta informação foi extraída das publicações da CPSC "Materiais de superfície para espaços de recreio – Manual de informação técnica". É possível obter cópias desta publicação enviando um postal para: Office of Public Affairs, U.S. Consumer Product Safety Commission, Washington, D.C., 20207 ou contactar através do número de telephone grátis: 1-800-638-2772.

- X3.1 A Comissão de Segurança de Produtos do Consumidor dos Estados Unidos estima que cerca de 100 000 ferimentos relacionados com equipamentos de recreio resultantes de quedas em solo duro sejam tratados anualmente nas salas de urgência dos hospitais norte-americanos. Os ferimentos que envolvem este padrão de perigo tendem a figurar entre os mais graves de todos os ferimentos em espaços de recreio e têm o potencial de serem fatais, em particular, quando os ferimentos ocorrem na cabeça. A superfície por baixo e em torno do equipamento de recreio pode ser um importante factor na determinação do potencial de ferimento de uma queda. Torna-se evidente que uma queda numa superfície que absorva o choque tem menos probabilidades resultar num ferimento grave que uma queda numa superfície dura.

Os equipamentos de recreio nunca devem ser colocados em superfícies duras, tais como betão ou asfalto e, apesar da relva parecer ser aceitável, pode transformar-se rapidamente em solo compactado em zonas de grande intensidade de tráfego. Aparas, raspas de madeira, areia fina ou gravilha fina são consideradas como superfícies com absorção de choques aceitáveis quando instaladas e mantidas a uma profundidade suficiente por baixo e em torno do equipamento de recreio.

- X3.2 A Tabela X3.1 lista a altura máxima a partir da qual não se espera que uma crinaça sofra ferimentos na cabeça que incorram em perigo de vida em cinco materiais de superfície soltos diferentes se instalados e mantidos a uma profundidade de 9 pol. (23 cm). No entanto, deve reconhecer-se que nem todos os ferimentos devido a quedas podem ser evitados independentemente do material de superfície utilizado.
- X3.3 Recomenda-se que o material de superfície se prolongue, no mínimo, por 6,5 ft (2 m) em todas as direcções a partir do perímetro do equipamento estacionário, como escadas e escorregas. No entanto e porque as crianças podem saltar deliberadamente de um baloço em movimento, o material para absorver os choques deve prolongar-se em frente e atrás de um baloço por uma distância mínima de 2 vezes a altura do ponto do pivô medida a partir de um ponto directamente por baixo do pivô na estrutura de suporte.
- X3.4 Esta informação destina-se a ajudar na comparação das propriedades relativas de absorção de choques dos vários materiais. Nenhum material em particular é recomendado em detrimento de outro. No entanto, cada material só é eficaz se for realizada a sua correcta manutenção. Os materiais devem ser verificados periodicamente e reabastecidos de modo a manter a profundidade correcta, conforme necessário para o seu equipamento. A escolha do material depende do tipo e da altura do equipamento de recreio, a disponibilidade do material na sua zona e o seu custo.

**GUARDE ESTA FICHA PARA
REFERÊNCIA FUTURA**

FOLGENDE HINWEISE UND WARNUNGEN BEACHTEN, UM DAS RISIKO SCHWERER ODER TÖDLICHER VERLETZUNGEN ZU MINDERN.

BEWAHREN SIE DIESE ANWEISUNGEN AUF.

⚠️ WARNUNG:

ERSTICKUNGSGEFAHR

Kleinteile. Scharfe Spitzen. Zusammenbau durch Erwachsene erforderlich.

⚠️ WARNUNG:

Nur für den häuslichen Familiengebrauch durch Kinder im Alter von 3 - 7 Jahre alt. Maximales Benutzergewicht: 22,6 kg pro Kind.

⚠️ WARNUNG:

STRANGULATIONSGEFAHR

mit schwerer Verletzungs- oder Todesfolge.

- **ACHTUNG** Keine Springseile, Wäscheleinen, Hundeleinen oder andere lose hängende Gegenstände befestigen, die nicht speziell für dieses Gerät vorgesehen sind.
- **ACHTUNG** Gestatten Sie Kindern Schals, mit Kordeln durch die Ärmel verbundene Fausthandschuhe oder Capes, Ponchos oder Kleidungsstücke mit Zugbändern am Hals zu tragen.
- **ACHTUNG** beim Spielen auf dem Gerät Helme zu tragen.
- **ACHTUNG** Gegenstände um den Hals, wie Ketten, Feldflaschen, Taschen/Beutel und Ferngläser zu tragen.

⚠️ WARNUNG:

VERBRENNUNGSGEFAHR

- Bevor Sie Ihre Kinder damit spielen lassen, stets die Temperatur des Produktes prüfen.
- Bei direkter Sonneneinstrahlung kann das Produkt Verbrennungen verursachen.
- Achten Sie stets auf die Sonneneinstrahlung und die Wetterbedingungen und gehen Sie nicht davon aus, dass die Benutzung des Produkts aufgrund einer niedrigen Lufttemperatur unbedenklich ist.

⚠️ WARNUNG:

BEWERTEN SIE IMMER KINDERBESCHRÄNKUNG

- Befolgen Sie diese Anweisungen sorgfältig während der Montage und vor der Installation dieses Produkts.
- Lassen Sie Ihr Kind dieses Produkt erst verwenden, wenn es von einem Erwachsenen ordnungsgemäß installiert wurde.
- Weisen Sie das Kind an, bei Verwendung dieses Produkts in sitzender Position zu bleiben.
- Die Aufsicht durch Erwachsene ist jederzeit erforderlich.

⚠️ WARNUNG:

GEFAHR SCHWERER ODER TÖDLICHER KOPFVERLETZUNGEN.

Stürze auf harte Oberflächen können schwere oder tödliche Verletzungen verursachen. Spielgeräte nicht auf harten Oberflächen, wie Beton, Asphalt, verdichteter Erde, Gras, Teppich oder anderen harten Oberflächen installieren. Aufsicht durch Erwachsene erforderlich.

SICHERHEITSHINWEISE:

1. Fügen Sie der Kette oder dem Seil niemals zusätzliche Länge hinzu. Die mitgelieferten Ketten oder Seile entsprechen der maximalen Länge der schwingenden Elemente.
2. Achten Sie auf Hindernisfreiheit, um Verletzungen vorzubeugen. Halten Sie einen Mindestabstand von 2m zu Baukörpern oder Hindernissen ein, wie Zäune, Gebäude, Garagen, Wohnhäuser, tief hängende Äste, Baumstümpfe/Wurzeln, große Felsen, Ziegelsteine, Beton, Wäscheleinen oder elektrische Leitungen.
3. Wählen Sie einen ebenen Standort für das Gerät, um die Wahrscheinlichkeit zu mindern, dass das Spielhaus umkippt und lose Bodenbeschichtung bei starkem Regen weggespült wird.
4. Sturzhöhe: 736,6 mm (29 Zoll) Das Produkt oder Belagmaterial nicht auf Beton, Asphalt, verdichteter Erde, Gras, Teppich oder anderen harten Oberflächen installieren. Ein Sturz auf eine harte Oberfläche kann schwere Verletzungen verursachen. Spielgeräte für den Heimgebrauch sollten nicht IN Innenräumen ohne installierte Absturzsicherung VERWENDEN. Ein Sturz auf Eine harte Oberfläche kann zu schweren Verletzungen führen. Richtlinien für

- stoßdämpfende Spielplatzböden für den notwendigen Fallschutz sind in diesem Anweisungsblatt (Tabelle X3.1) enthalten. Die notwendige Höhe des stoßdämpfenden Füllmaterials durch Eindämmung, wie Randausbau und/oder Umgebung mit einer Landschaftseinfassung sichern. Das Legen von Gummifliesen oder eingegossenen Flächen (außer lose Füllmaterialien) erfordern in der Regel einen Fachmann und sind keine Heimwerkerprojekte.
5. Stellen Sie Plattformen und Rutschen aus blankem Metall (Metall, Kunststoff und sonstiges) vor direktem Sonnenlicht geschützt auf, um die Wahrscheinlichkeit schwerer Verbrennungen zu verringern. Eine Rutsche, die nach Norden ausgerichtet ist, erhält das geringste direkte Sonnenlicht.
 6. Sorgen Sie für genügend Platz, damit die Kinder die Geräte ungefährdet benutzen können (so sollte bei Kinderspielgeräten mit mehreren Aktivitäten eine Rutsche nicht vor einer Schaukel enden).
 7. Trennen Sie lebhaft und ruhige Aktivitäten voneinander (legen Sie Sandkästen in genügend Abstand von Schaukeln an oder trennen Sie die Sandkästen mit einem Schutzgelenk von den Schaukeln).
 8. Vergewissern Sie sich, dass alle Verbindungen fest und sicher sind. Gestatten Sie Kindern NICHT, auf dem Produkt zu spielen, bis es vollständig montiert ist.
 9. Einmal eingebaute Schrauben NICHT entfernen. Zur Demontage nur Teile entfernen, die nicht durch Schrauben befestigt sind.
 10. Schrauben NICHT überdrehen, anderenfalls ist der Zusammenhalt der Teile nicht garantiert.
 11. Bitte beachten, dass die Schrauben im Kunststoff eigene Bohrlöcher bohren.
 12. Der empfohlene Mindestabstand zwischen der Unterseite der Schaukel und dem Boden beträgt 40,72 cm.

GEBRAUCHSANWEISUNG:

1. Nur zur Benutzung unter ständiger Aufsicht von Erwachsenen.
2. Benutzerslimit: 2 Kinder Höchstgewicht pro Benutzer: 22,6 kg (50 lbs)
3. Kleiden Sie die Kinder angemessen, inklusive fester Schuhe, die die Füße vollständig schützen.
4. **DIE KINDER ANWEISEN:**
 - in der Mitte der Schaukeln mit ihrem vollen Gewicht auf den Sitzen zu sitzen,
 - um zu vermeiden, dass leere Sitze geschwungen werden,
 - Entfernen von Gegenständen vor dem Spielen auf Geräten, die Gefahren verursachen, wenn sie sich verheddern und verfangen. Beispiele sind: Ponchos, Schals und andere locker sitzende Kleidung, Fahrrad- oder andere Sporthelme.
 - nicht in der Nähe, vor, hinter oder zwischen sich bewegenden Gegenständen gehen,
 - Geräte nicht aussteigen lassen, während sie in Bewegung sind,
 - keine Gegenstände an den Spielgeräten anzubringen, die nicht speziell für die Verwendung mit den Geräten ausgelegt sind.
 - Beispiele sind: Springseile, Wäscheleine, Haustierleinen, Kabel und Ketten, da diese eine Strangulationsgefahr verursachen können.
5. **KINDERN NIEMALS ERLÄUBEN:**
 - das Gerät auf andere Weise als vorgesehen zu benutzen;
 - auf das Gerät zu klettern, wenn es schneebedeckt oder nass ist;
 - dieses Produkt bei Temperaturen unter 0°C zu benutzen. Kunststoffmaterialien können brüchig werden und splintern.

WARTUNGSHINWEISE:

1. Überprüfen Sie das Produkt regelmäßig auf lose oder beschädigte Komponenten. Überprüfen Sie die folgenden Punkte zu Beginn jeder Saison mindestens zweimal monatlich während des Gebrauchs:
 - alle Anschlüsse und Schrauben fest angezogen werden, ziehen Sie sie nach Bedarf an.
 - alle beweglichen Metallteile.
 - den Zustand der Ausrüstung. Achten Sie auf Anzeichen von Verschleiß wie zerbrochene oder fehlende Komponenten. Bei Bedarf reparieren.
 - Alle Schaukelsitze, Seile, Kabel und Ketten auf Anzeichen einer Verschlechterung. Ersetzen Sie die Seile, wenn sie spröde, ausgefranst oder stark verblasst sind.
2. Bei Temperaturen unter 0°C nicht benutzen.
3. Die Stellfläche regelmäßig harken, um Verdichtung zu verhindern und die notwendigen Tiefen beizubehalten.
4. Reinigung allgemein: Verwenden Sie eine 50/50 Mischung aus weißem Essig und Wasser.
5. Eigentümer tragen die Verantwortung für die Lesbarkeit der Warningschilder und für Kinder, die Warningschilder vom Produkt entfernen.

ENTSORGUNGSANWEISUNGEN:

Das Gerät so zerlegen, dass keine unzumutbaren Gefahren entstehen. Wenn möglich, das Produkt zum Recycling geben. Allen behördlichen Vorschriften entsprechend entsorgen.

DIESES PRODUKT VOR JEDEM GEBRAUCH PRÜFEN. ZIEHEN SIE DIE SCHRAUBVERBINDUNGEN FEST AN UND ERSETZEN SIE BESCHÄDIGTE ODER ABGENUTZTE TEILE. WENDEN SIE SICH AN STEP 2 ZUR BESTELLUNG VON ERSATZTEILEN.

Verbraucher informationsblatt für Spielplatzbelag materialien

Minimal komprimierte, locker gefüllte Belagtiefen

Zentimeter	Loses Fallschutzmaterial schützt bis	Fallhöhe (Meter)
9	Zerschnitzeltes/recyceltes Gummi	10
9	Sand	4
9	Schrot	5
9	Holzmulch (nicht CCA-behandelt)	7
9	Hackschnitzel	10

Tabelle X3.1

Diese Informationen sind den CPSC-Publikationen "Playground Surfacing – Technical Information Guide" entnommen. Exemplare dieser Publikation können unter folgender Adresse per Postkarte angefordert werden: Office of Public Affairs, U.S. Consumer Product Safety Commission, Washington, D.C., 20207 oder rufen Sie die gebührenfreie Hotline an: Telefon +1-800-638-2772.

- X3.1 Die US-Kommission für Verbrauchersicherheit schätzt, dass jährlich ungefähr 100.000 Verletzungen in Notaufnahmen von Krankenhäusern in den USA behandelt werden, die auf Spielplätzen durch Stürze auf den Boden verursacht wurden. Verletzungen mit diesem Gefahrenmuster zählen zu den schwersten Verletzungen auf einem Spielplatz und können insbesondere bei Kopfverletzungen tödlich sein. Der Flächenbelag unter den Spielgeräten und darum herum trägt als wesentlicher Faktor zur Bestimmung des Verletzungspotenzials eines Sturzes bei. Offensichtlich verursacht ein Sturz auf eine federnde, stoßdämpfende Oberfläche eine weniger schwere Verletzung als ein Sturz auf eine harte Oberfläche.

Spielgeräte dürfen niemals auf harten Oberflächen wie Beton oder Asphalt aufgestellt werden. Gras mag geeignet erscheinen, kann sich in stark frequentierten Bereichen jedoch schnell in verdichtete Erde verwandeln. Zerkleinerter Rindenmulch, Holzspäne, feiner Sand oder feiner Kies gelten als tragfähige stoßdämpfende Oberflächen, sofern sie bei ausreichender Tiefe unter und um Spielgeräte herum verlegt und vorschriftsmäßig gewartet werden.

- In Tabelle X3.1 ist die Maximalhöhe angegeben, bis zu der einem Kind bei einem Sturz in eines von fünf verschiedenen stoßdämpfenden Füllmaterialien, die mit einer Tiefe von 22,8 cm installiert und gepflegt werden, keine lebensbedrohliche Kopfverletzung droht. Es muss jedoch eingeräumt werden, dass sich nicht alle Sturzverletzungen, ungeachtet des Belagmaterials, verhindern lassen.
- X3.3 Es wird empfohlen, dass sich stoßdämpfendes Material mindestens 1,5 m in alle Richtungen vom Randbereich stationärer Geräte wie Klettergerüste und Rutschen erstreckt. Da Kinder jedoch absichtlich von einer sich bewegenden Schaukel springen können, sollte sich das stoßdämpfende Material im vorderen und hinteren Bereich der Schaukel, gemessen von einem Punkt direkt unter dem Drehpunkt einer Stützkonstruktion, mindestens um das Zweifache der Höhe des Drehpunktes erstrecken.
- X3.4 Diese Angaben sind zur Hilfestellung bei einem Vergleich der relativen stoßdämpfenden Eigenschaften verschiedener Materialien vorgesehen. Es wird kein bestimmtes Material empfohlen. Jedes Material ist jedoch nur so lange wirksam, so lange es ordnungsgemäß gepflegt wird. Die Materialien müssen regelmäßig geprüft und aufgefüllt werden, um die für Ihre Spielgeräte notwendige Fallschutztiefe beizubehalten. Die Wahl des Materials richtet sich nach der Art und Höhe der Spielgeräte, der Erhältlichkeit des Materials in Ihrer Nähe und den damit verbundenen Kosten.

DIESE ANWEISUNGEN AUFBEWAHREN.

阅读以下陈述和警示，减少严重或致命伤害发生的可能性。

保存本说明书以供今后参考。

警示：

窒息危险

小部件。尖角。要求成人组装。

警示：

仅供 3-7 岁 个月大的儿童在居家户外使用。使用者的最大体重：每名儿童 50 磅 (22.6 公斤)。

警示：

窒息危险

可能会造成重伤或死亡。

- **请勿** 将不是专门为该设备设计的物品用于设备，例如跳绳、晒衣绳、宠物牵引带或其他松垂的物品。
- **请勿** 允许儿童穿戴围巾、穿袖系绳手套、披肩、披风或颈部有抽绳的衣服。
- **请勿** 允许儿童在玩设备时戴头盔。
- **请勿** 允许儿童在脖子上佩戴项链、挂水壶、钱包和望远镜。

警示：

灼伤危险

- 让孩子玩耍产品之前，请始终检查产品的温度。
- 请记住，该产品可能会造成烫伤 如果阳光直射。
- 随时关注太阳与天气情况，请勿因 为气温不高而认为游乐设施是安全的。

警示：

始终采用儿童约束措施。

- 在组装期间以及在安装本产品之前，请严格遵照这些说明。
- 在由成人正确安装之前，严禁儿童使用本产品。
- 使用本产品时，要求儿童保持坐姿。
- 任何时候都要有成人监督。

警示：

可能造成严重的头部伤害或死亡。

摔落到坚硬表面可能会导致重伤或死亡。不要将游乐设备安装在过硬的表面上，例如混凝土、沥青、硬泥地、草地、地毯或任何其他坚硬表面。需成人监督。

贴纸置放：

1. 切勿在链条或绳索上增加额外的长度。所提供的链条或绳索是为摆动元件设计的最大长度。
2. 腾出一块空地，以减少受伤的可能。与建筑物或障碍物至少保持 6.5 英尺 (2 米) 的距离 (例如：栅栏、建筑、车库、房屋、低垂的树枝、树桩/树根、大石块、砖块、混凝土、晒衣绳或电线)。
3. 将产品放置于水平位置，减少装置倾倒或松填铺面材料在暴雨天被冲走的可能性。
4. 坠落高度：29 英寸。不要将产品或铺面材料安装在混凝土、沥青、硬泥地、草地、地毯或任何其他坚硬的表面。家用游乐设备在未安装坠落防护装置前，不得在室内使用。坠落到坚硬的表面可能会造成重伤。该说明书包含有关可接受的

坠落防护装置的游乐场铺面材料准则 (请参阅表 X3.1)。要使松填铺面材料保持在适当状态，请采取围堵措施，例如沿着周长挖掘和/或进行包边。铺设橡胶地砖或现场浇筑的表面 (而非松填材料) 通常需要专业人员，不是自己动手就能够完成的。

5. 提供足够的空间，让孩子们可以安全使用设备 (例如：对于可进行多项活动的结构，滑道不得位于秋千前方)。
6. 将动态活动与安静的活动分开 (例如：将秋千和沙箱隔开)。
7. 检查所有连接处是否都牢牢固定。
8. 在产品完全组装前，切勿让儿童使用。
9. **请勿** 在安装后取下任何螺钉。拆卸时，只能取下非螺钉固定的部件。
10. **请勿** 过度拧紧螺钉，否则不能适当地紧固部件。
11. 请注意，螺钉的设计使其可以穿透塑料并自己形成螺纹。
12. 秋千底部和地面之间的最小推荐距离是 18 至。

操作说明：

1. 任何时候都需要有成人监督。
2. 限制：2 名儿童。限制使用者的最大体重：50 磅 (22.6 公斤)。
3. 为儿童穿上合适的衣物，包括能全面保护双脚的合脚鞋。
4. **告诫儿童：**
 - 坐在秋千中间，将身体重量全部转移到座椅上，
 - 避免摇晃空座椅，
 - 在玩设备前，取下可能会造成儿童被缠住和被困等危险的物品。例如：披风、围巾、其他宽松的衣服、自行车头盔或其他运动头盔。
 - 靠近移动物品走动、走到移动物品的前方、后方或中间，
 - 不要扭转秋千的链条或绳索，或将它们系在顶部支撑杆上，因为这样可能会削弱链条或绳索的强度，
 - 不要在设备运行过程中下来，
 - 不要将不是为游乐场设备专门设计的物品用于设备上 (例如：跳绳、晒衣绳、宠物带、线缆和链条)，因为它们可能会造成窒息危险。
5. **决不允许儿童：**
 - 以规定以外的方式使用设备。
 - 在设备被冰雪覆盖或潮湿的情况下攀爬设备。
 - 在温度低于 32°F (0°C) 时使用产品，因为塑料材料可能会变脆并断裂

维护说明：

1. 定期检查产品，查看是否有松动或损坏的部件。在每个季节开始的使用期间，至少每月检查两次下列部件：
 - 所有连接和螺栓的松紧度，如有需要加以紧固。
 - 所有金属移动部件。
 - 设备状态。检查是否有磨损的迹象。必要时进行维修。
 - 所有的秋千座椅、绳索、缆绳和链条是否出现损坏。
 - 如果 绳索变脆、磨损或 明显褪色，则应进行更换。
2. 置于室内，或在温度低于 32°F (0°C) 时不使用。
3. 定期把翻表面，防止压实，以保持适当的厚度。
4. 清洁指南：使用白醋和水的 50/50 混合物。
5. 如果警告标签的可读性有损或儿童撕毁警告标签，所有者应负责进行维护。

处理指南：

如可能，拆除设备以消除不合理风险。请回收利用。处理时必须遵守所有的政府规章。

每次使用前检查本产品。固定连接处，并换掉破损和磨损的部件。联系 Step2 有限责任公司获取替换零件。

游乐场铺面材料 消费者信息表

最小压缩松填铺面深度

英寸	松填材料	保护坠落高度 (英尺)
9	橡胶屑/回收橡胶	10
9	沙土	4
9	细砾	5
9	盖土木板 (非 CCA)	7
9	木屑	10

表 X3.1

此资料摘录自美国消费品安全委员会出版的“游乐场铺面 - 技术信息指南” (Playground Surfacing - Technical Information Guide)。如需获取本刊物的副本，可寄送明信片至：美国消费产品安全委员会公共事务办公室，Washington, D.C., 20207 或拨打免费热线电话：1-800-638-2772。

- **X3.1** 据美国消费品安全委员会估计，美国医院急诊室每年会接收约 100,000 名与游乐场设备相关的因摔落在地面而导致受伤的人员。在所有游乐场受伤事件中，此类危险造成的伤害往往是最严重的，并有可能致命，尤其是当受伤部位在头部时。游乐场设备下方和周围的地面是导致潜在坠落伤害的主要因素。很明显，相比坚硬表面，坠落到减震表面不太可能造成严重伤害。

游乐场设备不得置于混凝土、沥青等坚硬的表面上，草坪表面虽然可接受，但如果人流量大则会很快变成坚硬的硬泥地。游乐场设备底下和周围可以安装盖土碎树皮、木屑、细沙或细砾等减震表面，但必须达到足够的深度并得到适当的维护。

- **X3.2** 表 X3.1 列出了最大高度，儿童从超过此高度的地方坠落将会导致头部严重受伤，进而危及生命，即使下面是五种不同的松填铺面材料，且其安装厚度达到 9 英寸。然而应该注意的是，无论使用哪种铺面材料，都不可完全避免造成坠落伤。
- **X3.3** 根据建议，从固定式设备周围往外 6.5 平方英尺的范围内都应该铺上减震材料，这些设备包括攀岩墙、滑道等。然而由于儿童可能会故意从晃动的秋千上跳下来，因此秋千前后的减震材料的长度应为轴心点高度的 2 倍以上 (从支撑结构的枢轴正下方的点量起)。
- **X3.4** 此资料旨在帮助比较各种材料的相对减震性能，而不着重推荐使用哪种材料。每种材料只有在正确维护的情况下才能起到有效减震作用。因此需要定期检查和补充材料，维持设备所需的正确深度。材料的选择取决于游乐场设备的类型和高度，以及当地的材料可用性及其成本。

请保存此表以供日后参考

قمر بمراعاة الملاحظات والتحذيرات التالية لتقليل إمكانية التعرض لإصابة خطيرة أو مميتة. احتفظ بهذا الدليل للرجوع إليه في المستقبل.

تحذير: خطر الاختناق

الأجزاء الصغيرة، حواف حادة. يجب تجميع المنتج بمعرفة شخص بالغ

تحذير: الاستخدام

لا تستخدم العائل المنزلي في الفناء الخارجي للمنزل فقط للأطفال من عمر 3 - 7 سنوات. أقصى وزن للمستخدم: 50 رطلاً (22.6 كجم) لكل طفل.

تحذير: خطر الشنق

قد تحدث إصابة خطيرة أو وفاة.

- لا تقم بما يلي تركيب جبال القفز، أو حبال الغسيل، أو زمامات الحيوانات الأليفة أو غيرها من الأجزاء السائبة المتبدلة غير المصممة تحديداً للاستخدام مع هذا الجهاز.
- لا تقم بما يلي السماح للأطفال بارتداء الأوشحة أو القفازات ذات الأربطة من خلال الأكامر، أو ملابس مثل القبعات أو العباءات أو أربطة التضييق حول العنق.
- لا تقم بما يلي السماح للأطفال بارتداء خوذات أثناء اللعب على الجهاز.
- لا تقم بما يلي السماح للأطفال بارتداء أي شيء حول رقابهم مثل القفلات، أو الرزميات، أو الحقايب، أو النظارات المكبرة.

تحذير: خطر الحرق

- تأكد دائماً من حرارة المنتج قبل السماح للأطفال باللعب به.
- تذكر أن المنتج قد تكون سبباً في الإصابة بحروق إذا تركزت في أشعة الشمس المباشرة.
- انتبه دائماً للشمس وطروق الطقس، لا تقترض أن الجهاز آمن لأن درجة حرارة الهواء غير مرتفعة للغاية.

تحذير: يمكن أن تحدث إصابة خطيرة بالرأس أو حدوث وفاة.

- اتبع هذه الإرشادات بدقة أثناء التجميع وقبل تركيب هذا المنتج.
- لا تسمح باستخدام طفلك لهذا المنتج قبل تركيبه بشكل صحيح بمعرفة شخص بالغ.
- وجه الطفل للبقاء في وضع الجلوس أثناء استخدام هذا المنتج.
- يجب استخدام المنتج تحت إشراف البالغين طوال الوقت.

تحذير: استخدم حزام الطفل على الدوام

يمكن أن يؤدي السقوط على سطح صلب في حدوث إصابة خطيرة أو الوفاة لا ترتب جهاز اللعب على أسطح صلبة، مثل الخرسانة الأسفلتية، أو التربة المتكتلة بفعل الضغط، أو الأرض العشبية، أو السجاد أو أي سطح صلب آخر. يتعين على الكبار مراقبة الأطفال.

معلومات السلامة:

1. لا تقم أبداً بإضافة طول إضافي للسلسلة أو الحبل. السلاسل أو الحبال المقدمة هي الحد الأقصى للطول المصمم للتعرض (العناصر المتأرجحة).
2. احرص على خلو موقع التركيب مكن أي عوائق لتقليل إمكانية التعرض لإصابة. حافظ على وجود مسافة 6.5 أقدام (مترين) على الأقل بين الجهاز والهيكل أو العوائق (أمثلة: سياج، أو مبانٍ، أو جراجات، أو منازل، أو فروع شجر متدلية لأسفل، أو جذوع/جذور أشجار، أو صخور كبيرة، أو طوب، أو خرسانة، أو حبال غسيل، أو أسلاك كهربائية).
3. اختر موقعاً مستويًا للجهاز لتقليل من احتمال انقلاب مجموعة اللعب، أو انجراف المواد السائبة المستخدمة في فرش الموقع مع المطر الغزير.
4. ارتفاع الانزلاق: 29 بوصة. لا ترتب المنتج أو تضع المواد المستخدمة في فرش الموقع فوق خرسانة، أو أسفلت، أو تربة متكتلة بفعل الضغط، أو أرض عشبية، أو سجاد، أو أي سطح صلب آخر. جهاز اللعب مخصص للاستخدام في فناء المنزل فقط، ويجب ألا يُستخدم داخل المنزل بدون تركيب أدوات الوقاية من السقوط. فالسقوط على سطح صلب يمكن أن يؤدي إلى إصابة خطيرة. يحتوي دليل التعليمات هذا على إرشادات بخصوص المواد المستخدمة في فرش الملعب لتوضيح سبل الوقاية المقبولة من السقوط (انظر الجدول 1.3X). للحفاظ على وجود مستوى

- ملائم من المواد المستخدمة في فرش الملعب، استخدم وسيلة تطويق، مثل الحفر بمحاذاة الحدود الخارجية للملعب و/أو تطيينه بحاشية من النباتات لإضافة منظر طبيعي جميل. يتطلب تركيب البلاط المطاط أو الأسطح المصبوبة في موضعها (بخلاف مواد الحشو السائب) بوجه عام شخصاً محترفاً، وهي ليست من المهام التي يمكنك أداءها بنفسك.
5. قمر بتوفير حيز كافٍ حتى يمكن للأطفال استخدام الجهاز بأمان (مثال: بالنسبة للهيكل التي لها استخدامات متعددة، ينبغي ألا يكون موضع هبوط الطفل من على الزلافة أمام أي أرجوحة).
 6. أفضل الأنشطة الصاخبة والهادئة بعضها عن بعض (أمثلة: ضع صناديق الرمال بعيداً عن الأرجوحات أو مكان الاستخدام).
 7. افحص جميع الوصلات للتأكد من أنها محكمة. لا تسمح للأطفال باللعب على المنتج حتى يتم تركيبه بالكامل.
 8. افحص جميع الوصلات للتأكد من أنها محكمة. لا تسمح للأطفال باللعب على المنتج حتى يتم تركيبه بالكامل.
 9. للتقليل إلى أدنى حد من المخاطر التي تشكلها المخلفات الناجمة عن الثقب، تم تصميم المسامير اللولبية بحيث تخترق البلاستيك وتشكل السن اللولبي الخاص بها. احرص على ألا تقرب من ربط المسامير اللولبية وإلا فلن تمسك الأجزاء ببعضها بشكل ملائم.
 01. الحد الأدنى الموصى به للمسافة بين الجانب السفلي بين مقعد الأرجوحة والأرض هو من 16 إلى 24 بوصة.
 11. للتقليل إلى أدنى حد من المخاطر التي تشكلها المخلفات الناجمة عن الثقب، تم تصميم المسامير اللولبية بحيث تخترق البلاستيك وتشكل السن اللولبي الخاص بها. احرص على ألا تقرب من ربط المسامير اللولبية وإلا فلن تمسك الأجزاء ببعضها بشكل ملائم.
 21. الحد الأدنى الموصى به للمسافة بين الجانب السفلي بين مقعد الأرجوحة والأرض هو من 18 بوصة.

تعليمات التشغيل:

1. يجب استخدام المنتج تحت إشراف البالغين على الدوام.
2. حد 2 أطفال. أقصى وزن للمستخدم 50 رطلاً (22.6 كجم) لكل طفل.
3. تأكد من ارتداء الأطفال لملاصق ملائمة، بما في ذلك أحذية ذات مقاس مناسب لكي تحمي أقدامهم بشكل كامل.
4. وجه الأطفال للقيام بما يلي:
 - الجلوس في وسط الأرجوحات بحيث يكون وزنه الكامل على المقاعد،
 - تجنب أرجحة المقاعد فارغة،
 - إزالة الأدوات التي تشكل مخاطر إذا تشابكو أو تعلقوا بها، وذلك قبل اللعب على الجهاز. من الأمثلة على ذلك: العباءات (الكابات)، والأوشحة، والملابس الفضفاضة، وخوذات الدراجات وغيرها من الخوذات الرياضية.
 - عدم السير بالقرب من، أمام، خلف، أو بين العناصر المتحركة،
 - عدم جدل سلاسل الأرجيح أو الحبال أو لفها على قضيب الدعم العلوي لأن ذلك قد يقلل من قوة السلسلة أو الحبل،
 - ألا يتزلوا من على الجهاز أثناء تحركه،
 - ألا يقفوا بترتيب أية أشياء في جهاز الملعب تكون غير مصممة تحديداً للاستخدام مع الجهاز، أمثلة: - جبال القفز، وحبال الغسيل، وزمامات الحيوانات الأليفة، والكابلات، والسلاسل لأنها قد تتسبب في خطر الشنق.
5. لا تدع الأطفال يفعلون ما يلي:
 - استخدام الجهاز بطريقة مغايرة للطريقة المحددة،
 - التسلق على الجهاز إذا كان مغطى بالثلج أو الندى.
 - استخدام المنتج إذا كانت درجة الحرارة أقل من 32 درجة فهرنهايت (صفر) مئوية. قد تصبح المواد البلاستيكية هشة ومشققة.

إرشادات الصيانة:

1. افحص المنتج بصفة دورية للبحث أن أية مكونات مفككة أو تالفة. افحص العناصر التالية في بداية كل موسم مرتين على الأقل شهرياً خلال الاستخدام:
 - جميع الوصلات والصواميل للتأكد من إحكامها، وأحكام ربطها إذا لزم الأمر.
 - جميع الأجزاء المعدنية المتحركة.
 - حالة الجهاز. ابحث عن أية علامات للبلل والاهتراء، مثل الأجزاء المكسورة أو المقفودة، والمواسير أو الأنابيب المثنية، والأسطح الخشبية التالفة. قمر بإجراء التصليحات اللازمة.
 - جميع مقاعد الأرجوحات، والحبال، والكابلات، والسلاسل إذا ظهرت أية علامات تدل على تلفها. استبدل الحبال إذا تعرضت للتمزق أو الأضرار أو التئسل.
2. احتفظ بالجهاز داخل المنزل أو لا تستخدمه إذا انخفضت درجة الحرارة عن 32 درجة فهرنهايت (صفر مئوية).
3. استخدم مزيج 50/50 من الخل الأبيض والماء.
4. امسح الأسطح بصفة دورية لمنع الانحشار وحافظ على وجود أعماق ملائمة.
5. الملاك مسؤولون عن أن تظل الملمصقات التحذيرية قابلة للقراءة وعن نزع الأطفال للمصلق التحذيري من على المنتج.

إرشادات التخلص من المنتج:

قمر بفك الجهاز بما لا يدع مجالاً لوجود أي مخاطر الرجاء إعادة التدوير إن أمكن. يجب أن تتوافق طريقة التخلص من المنتج مع كل القوانين الحكومية.

افحص المنتج قبل كل استخدام. اربط الوصلات بإحكام واستبدل المكونات التالفة أو البالية. اتصل بشركة STEP2 لاستبدال الأجزاء.

دليل معلومات المستهلك للمواد المستخدمة في فرش الملاعب

الحد الأدنى لأعماق مواد فرش الأسطح السائبة المضغوطة

بوصات من	مواد الفرش السائبة	تحمى حتى ارتفاع الانزلاق (قدم)
9	مطاط مقطوع أجزاء صغيرة معادن توديره	10
9	رمل	4
9	حصى صغير	5
9	نشارة خشب (الاحتوي على زرينج نحاس الملون)	7
9	رقائق الخشب	10

الجدول 3.1X

هذه المعلومات مأخوذة من منشورات اللجنة الأمريكية لسلامة المنتجات الاستهلاكية (CPSC) "المواد المستخدمة في فرش الملاعب - دليل المعلومات الفنية". يمكن الحصول على نسخة من هذا المنشور بإرسال رسالة بريدية إلى: Office of Public Affairs Consumer Product Safety Commission U.S. Washington, D.C., 20238, أو اتصل بالخط الساخن المجاني: 1-800-638-2772.

- **3.1X** تبعاً لتقديرات اللجنة الأمريكية لسلامة المنتجات الاستهلاكية هناك ما يقرب من 100,000 إصابة سنوية مرتبطة بأجهزة الملاعب تنجم عن السقوط على الأرض ويتم معالجتها بغرف الحالات الطارئة بالمستشفيات الأمريكية. تأتي الإصابات الناجمة عن حالات السقوط الخطيرة نك ضمن إصابات الملاعب الأكثر خطورة، وفي بعض الأحيان تكون هذه الإصابات مميتة خاصة عندما تكون الإصابة في الرأس. يمكن أن يلعب السطح الموجود أسفل أجهزة الملاعب وحولها دوراً رئيسياً في حالات السقوط التي تتسبب في حدوث إصابات. ولا يوجد شك في أن نسبة الإصابات الشديدة التي تحدث نتيجة للسقوط على سطح ممتص للصدمات أقل كثيراً من تلك التي تحدث عند السقوط على سطح صلب.

يجب ألا يتم مطلقاً وضع أجهزة الملاعب على أسطح صلبة مثل الأسمنت، والأسفلت وبينما يعتبر العشب سطحاً مقبولاً إلا أنه يتحول سريعاً إلى تربة متكتلة صلبة في المناطق التي تشهد معدل حركة عالي. تعتبر نشارة لحاء الأشجار المفرومة، وشرائح الخشب، والرمال الناعمة، والحصى الصغير أسطح ممتصة للصدمات مقبولة عند فرشها على أعماق كافية أسفل أجهزة الملاعب وحولها.

- **3.2X** الجدول 3.1X يوضح الحد الأقصى للارتفاع الذي لا يمكن للطفل التعرض معه إلى إصابة في الرأس تهدد حياته عند السقوط على خمس مواد مختلفة من المواد السائبة المستخدمة في فرش الملاعب في حالة فرش هذه المواد على عمق 9 بوصات. ومع ذلك، يجب التنبيه إلى أنه لا يمكن منع كل الإصابات الناجمة عن السقوط بغض النظر عن المواد المستخدمة في فرش الملاعب.

- **3.3X** يوصى بأن يتم فرش المواد الممتصة للصدمات مسافة 6.5 قدم على الأقل من الحدود الخارجية للجهاز الثالث مثل ألعاب التسلق والزلاقات. ومع ذلك، ونظراً لأن الأطفال قد يتعمدون القفز من أرجوحة وهي تتحرك، يجب فرش المادة الممتصة للصدمات أمام وخلف الأرجوحة مسافة تعادل ضعفي ارتفاع النقطة المحورية التي يتم قياسها من النقطة الواقعة أسفل المحور تماماً على الهيكل الداعم.

- **3.4X** هذه المعلومات مخصصة لمساعدتك على مقارنة خصائص امتصاص الصدمات النسبية الخاصة بالمواد المختلفة. لا يوصى باستخدام مادة معينة دون الأخرى. ومع ذلك، تلعب المادة دوراً فعالاً فقط عندما يتم المحافظة عليها بشكل سليم. يجب فحص المواد بشكل دوري وإعادة ملئها للاحتفاظ بالعمق الصحيح اللازم لجهازك. يتم اختيار المادة تبعاً لنوع جهاز الملعب وارتفاعه، وكذلك تبعاً لمدى توفر المادة في منطقتك، وتكلفتها.

الرجاء الاحتفاظ بهذا الدليل للرجوع إليه في المستقبل